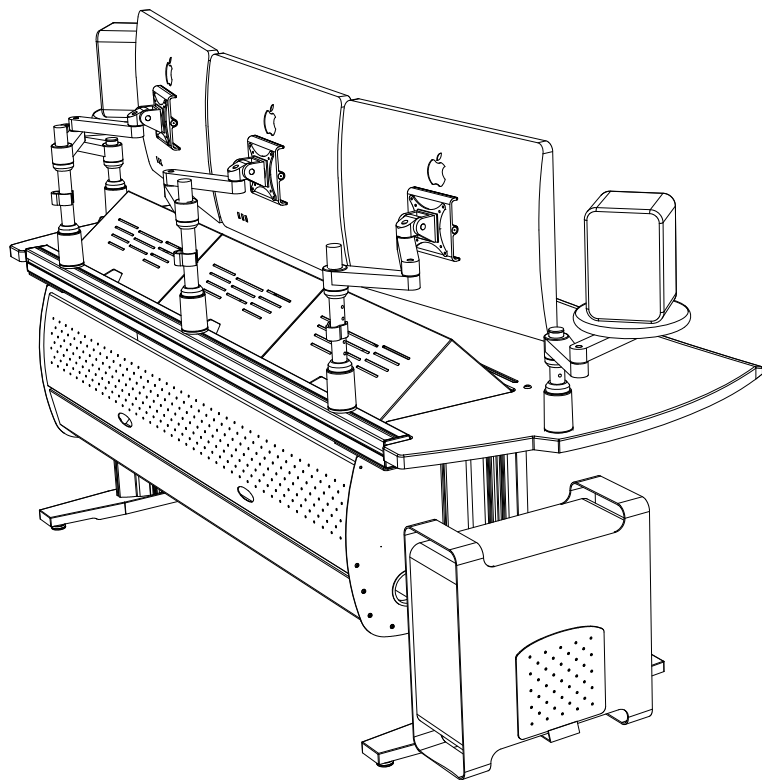
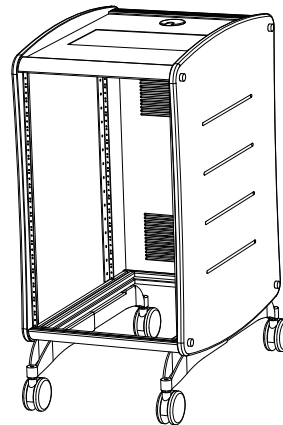


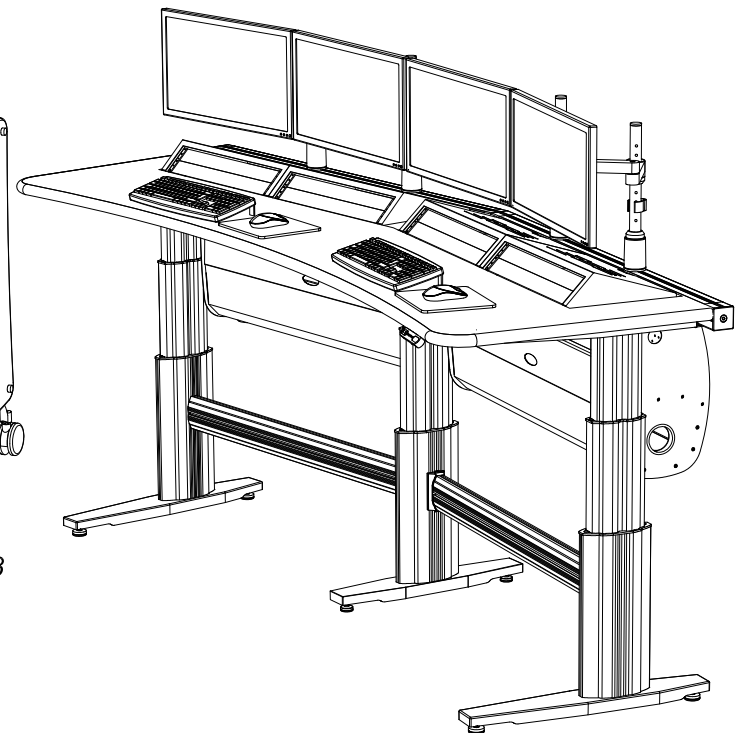
SmartTrac® v2 and SmartCart® Product Guide



*SmartTrac ST3 Console
Fixed Height*



SmartCart SC-V18



*SmartTrac ST22E Linked Console
Electrically Height Adjustable*

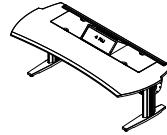


SmartTrac® v2 and SmartCart® Series

MAY 2016

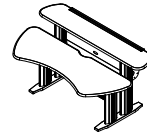
SmartTrac **Consoles + Workstations+CPU Desks**

pages 3-6



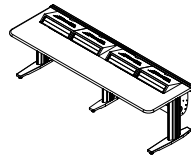
SmartTrac **Bi-Level Consoles**

page 7



SmartTrac **Linked Consoles**

page 8



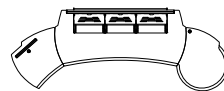
SmartTrac **Accessories**

pages 9-10



SmartTrac **Suites**

page 11



Smart**Carts**

pages 12-13



Overview of Standard Consoles

SmartTrac v2 Console System Evolution

Unique to this class of console, SmartTrac's removable turrets, rear device 'Trac' and generous cable core with integral power management combine with optional height adjustability. The electronic height adjustability optioned consoles allow an adjustment range of 26" [660mm] for desktop surface, rack turrets, and monitors provides true sit/stand functionality.

SmartTrac come with either a standard or mini (LT) cable core configuration. The widths of the standard consoles are based on 19" rack turret widths such as ST2 and ST3. They are also available in optional widths ST1, ST1.5, ST2.5, and ST4. Only the SmartTracs with the standard cable core can be configured with rack turrets and or infill panels.

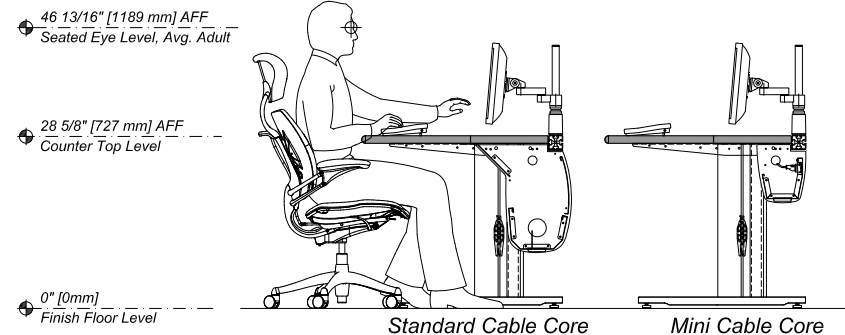
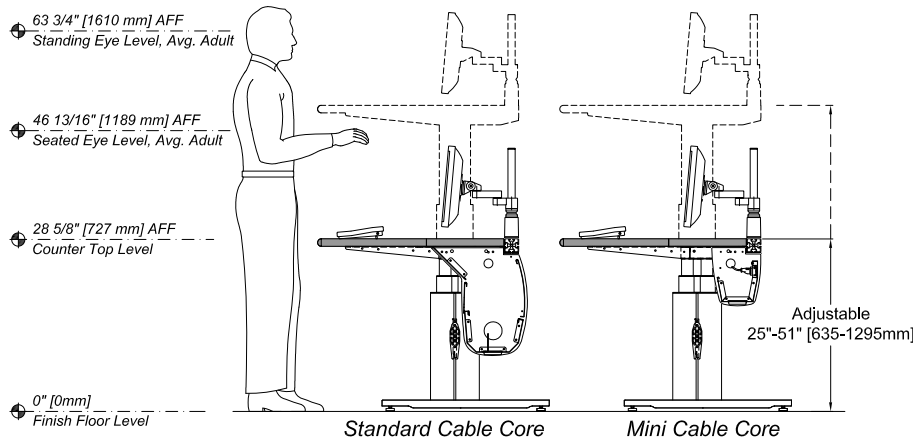
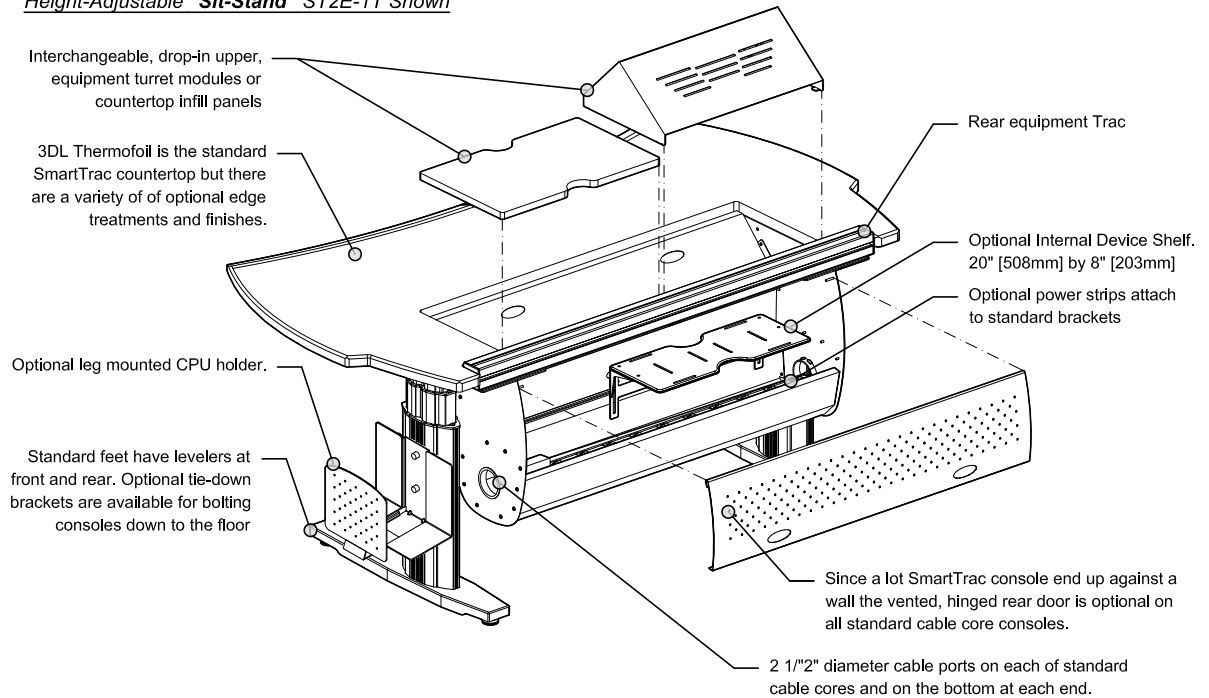
Modularity:

All SmartTrac accessories can be shared between almost all of the SmartTrac consoles, the only exceptions are the ST Workstations and Client Tables. Most SmartTrac accessory components simply lift off to reconfigure or add items later. For typical SmartTrac accessories, see page 9-10 or consult with a TBC representative.

Height Adjustability Capacity:

All SmartTrac models share the same leg style, with an electric base with digital preset controller as an option. Electric base weight capacity: **250lbs** (113kg) total of monitors, rack equip., and desktop items. Console components have already been factored in. The electric height adjustment can be configured for domestic or internationally voltages and plugs.

Height-Adjustable "Sit-Stand" ST2E-1T Shown



Height-Adjustable "Sit-Stand" Versions

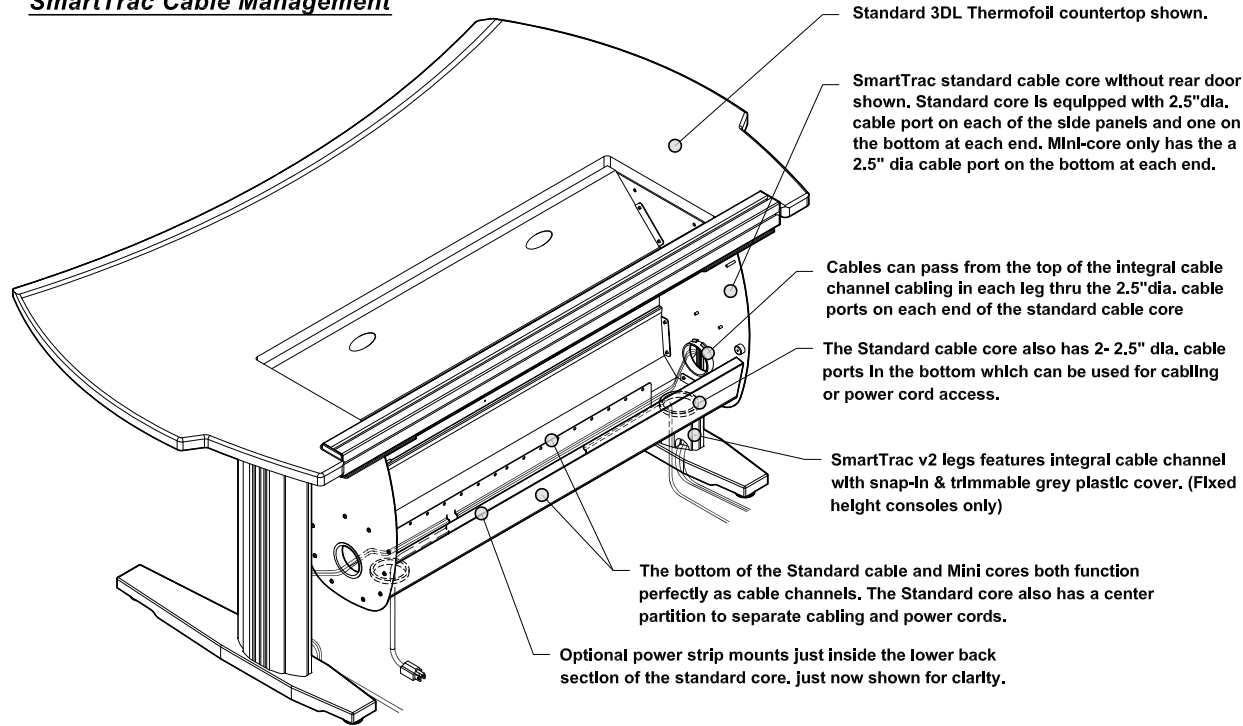
Fixed Height Versions

SmartTrac® v2 Product Guide



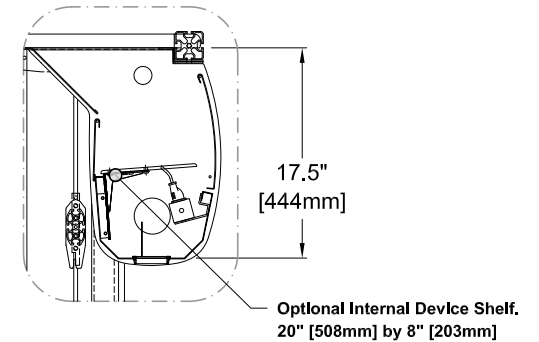
Overview of Standard Consoles - continued

SmartTrac Cable Management

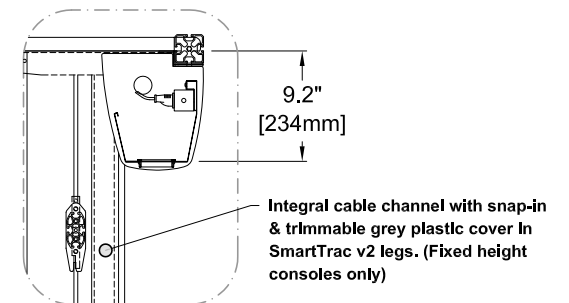


Cable Core Vertical Capacities

Standard Cable Core

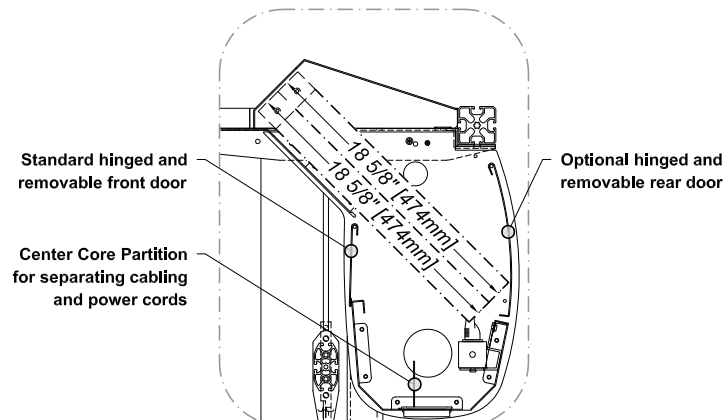


Mini Cable Core

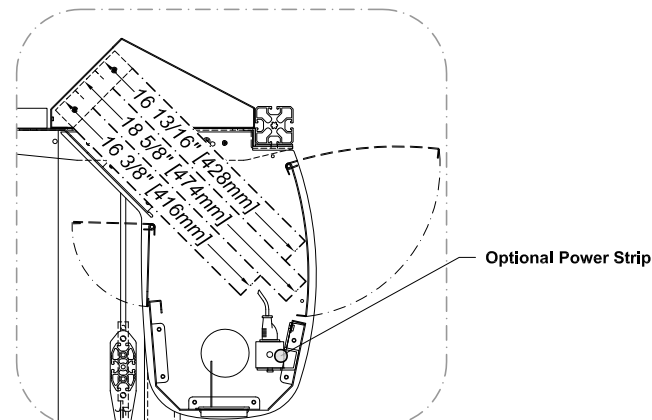


Standard Equipment Turret Depth Capacities

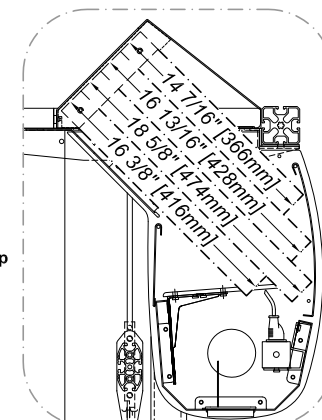
2 RU Equipment Turret



3 RU Equipment Turret



4 RU Equipment Turret

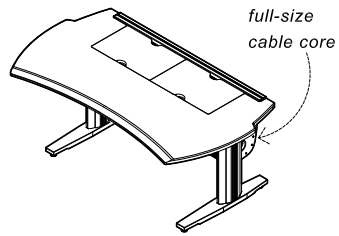


SmartTrac[®] v2 Product Guide

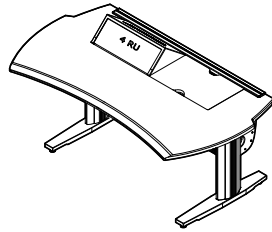
note: product may differ in appearance from items shown below. Prices are based on stocked shark grey 3DL, upgrade to other colors and finishes available.



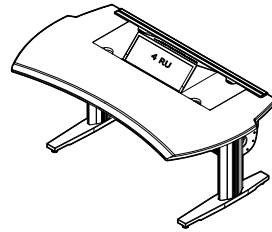
2-Bay Consoles: 2-bay ready turret well • standard cable core



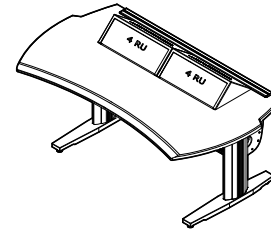
model:
ST2-NT (fixed ht)
ST2E-NT (electric)



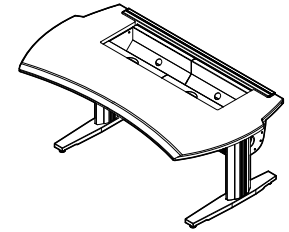
model:
ST2-1T (fixed ht)
ST2E-1T (electric)



model:
ST2-1TH (fixed ht)
ST2E-1TH (electric)

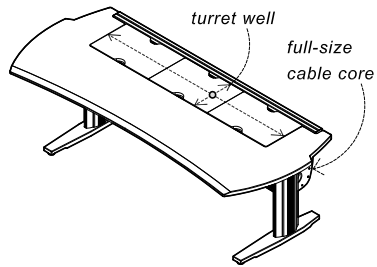


model:
ST2-2T (fixed ht)
ST2E-2T (electric)

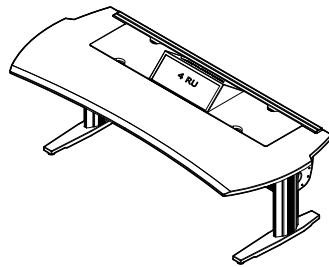


model:
ST2-DW (fixed ht)
ST2E-DW (electric)

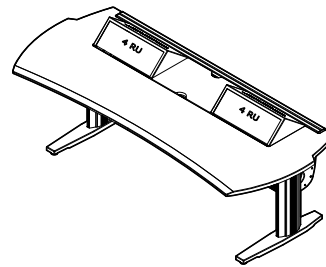
3-Bay Consoles: 3-bay ready turret well • standard cable core



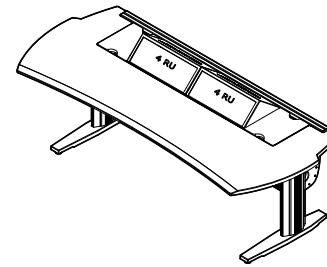
model:
ST3-NT (fixed ht)
ST3E-NT (electric)



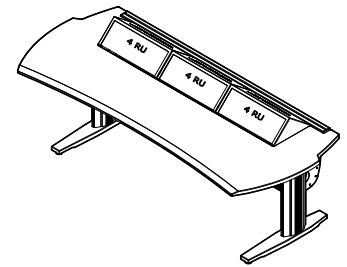
model:
ST3-1T (fixed ht)
ST3E-1T (electric)



model:
ST3-2T (fixed ht)
ST3E-2T (electric)

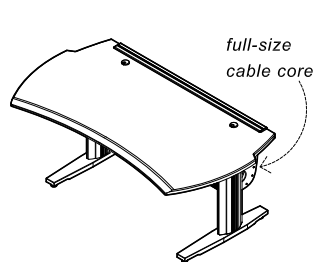


model:
ST3-2TH (fixed ht)
ST3E-2TH (electric)

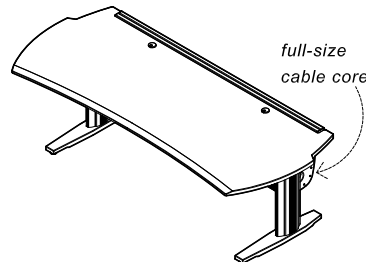


model:
ST3-3T (fixed ht)
ST3E-3T (electric)

Workstations: continuous desktop • no turret well • standard cable core

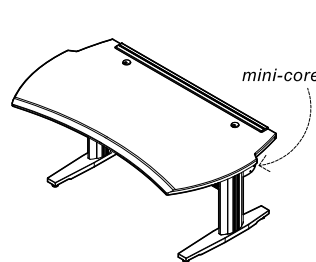


model:
ST2-WS (fixed ht)
ST2E-WS (electric)

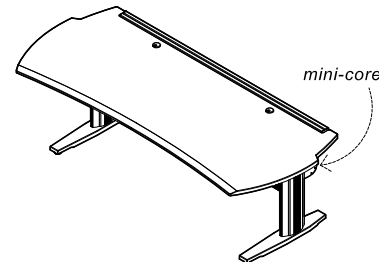


model:
ST3-WS (fixed ht)
ST3E-WS (electric)

Workstation LT: continuous desktop • no turret well • mini cable core

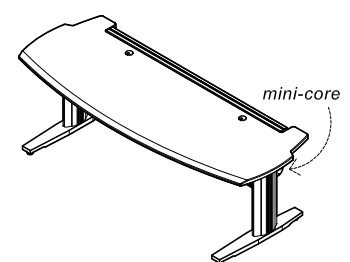


model:
ST2-WS-LT (fixed ht)
ST2E-WS-LT (electric)



model:
ST3-WS-LT (fixed ht)
ST3E-WS-LT (electric)

Client Table mini cable core



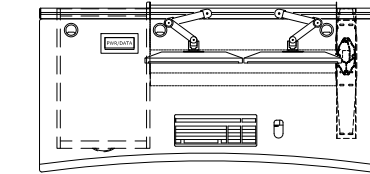
model:
ST-CT-LT (fixed ht)
STE-CT-LT (electric)

SmartTrac CPU Desk Series- Pre-configured concepts

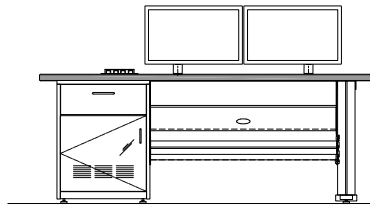
ST2-CPU Desk Concept : 1 Position workstation

Fixed height console w/2 bay standard cable core and 1 drawer/CPU pedestal (standard rear door). The concept also shows optional monitor arms, pop-up power data module, smoked plexi hinged front door, and custom curved countertop. Console is also configurable with mini cable cores.

overall length: 6'- 2" [1885mm]
overall depth: 3'- 1 1/2" [959mm]



PLAN VIEW

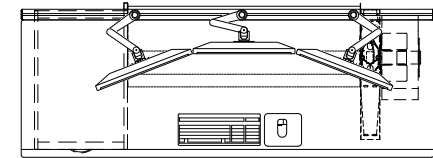


FRONT VIEW

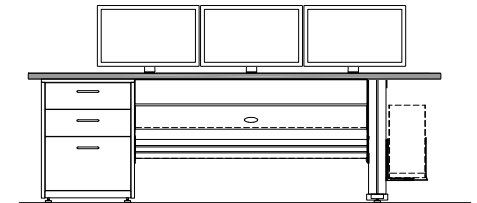
ST3-CPU Desk Concept : 1 Position workstation

Fixed height console w/3 bay standard cable core, 1 - 3 drawer pedestal, optional monitor arms, leg mtd CPU holder, and custom countertop. Console is also configurable with mini cable cores.

overall length: 7'- 7 1/2" [2328mm]
overall depth: 2'- 10" [870mm]



PLAN VIEW

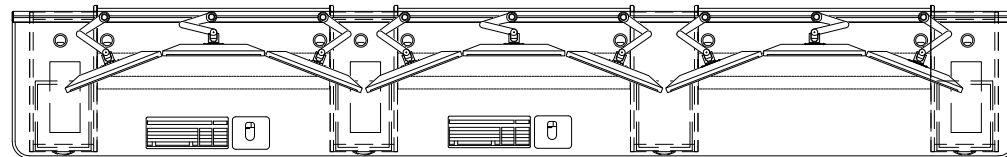


FRONT VIEW

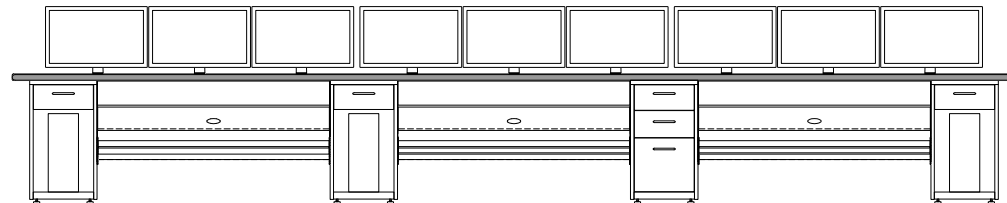
ST2.5+2.5+2.5-CPU Desk Concept : 3 Position workstation

Fixed height console w/3-2.5 bay standard cable core, 3-1 drawer/CPU pedestals (standard rear door), 1&3 drawer pedestal, and custom linoleum countertop with a black bumper edge. Console is also configurable with mini cable cores.

overall length: 18'- 7" [5664mm]
overall depth: 2'- 10" [870mm]



PLAN VIEW

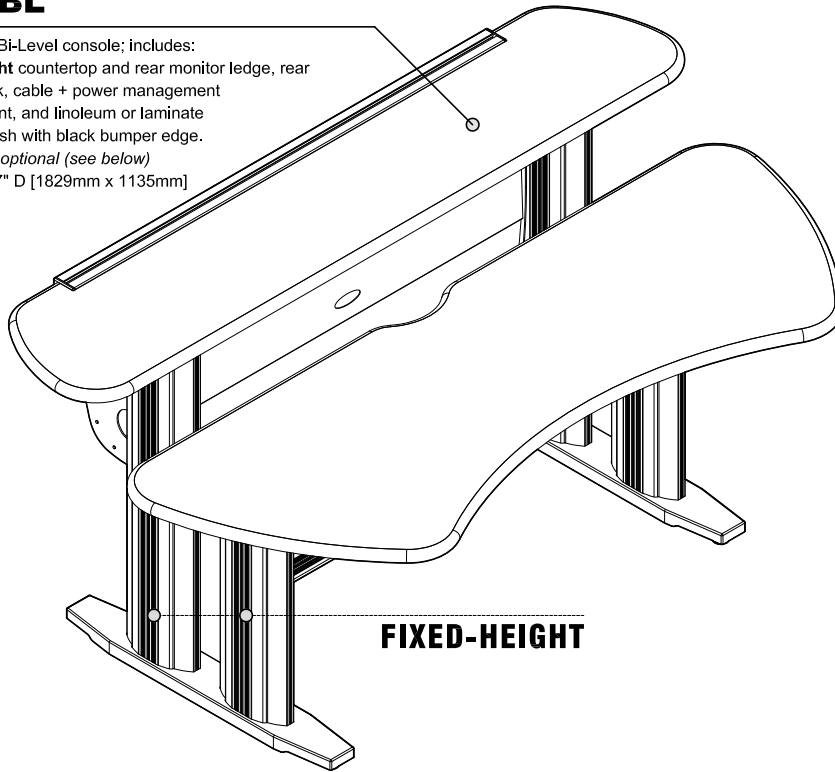


FRONT VIEW

Overview of Bi-Level Consoles

ST2-BL

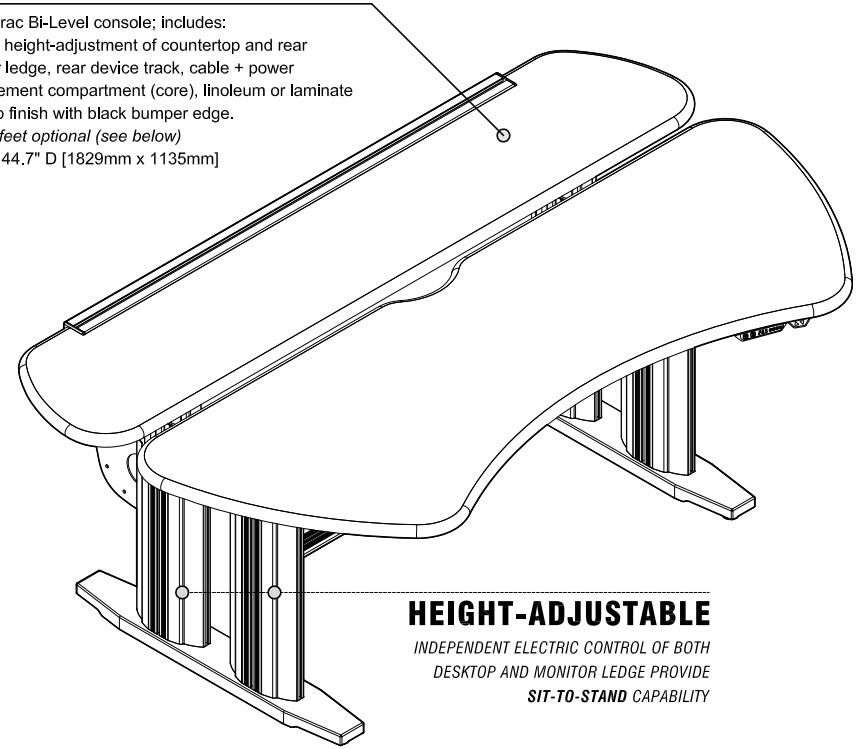
SmartTrac Bi-Level console; includes:
Fixed-height countertop and rear monitor ledge, rear device track, cable + power management compartment, and linoleum or laminate desktop finish with black bumper edge.
 Caster feet optional (see below)
 72" L x 44.7" D [1829mm x 1135mm]



FIXED-HEIGHT

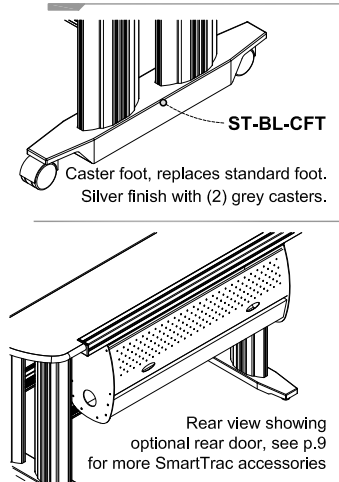
ST2E-BL

SmartTrac Bi-Level console; includes:
 Electric height-adjustment of countertop and rear monitor ledge, rear device track, cable + power management compartment (core), linoleum or laminate desktop finish with black bumper edge.
 Caster feet optional (see below)
 72" L x 44.7" D [1829mm x 1135mm]



HEIGHT-ADJUSTABLE

INDEPENDENT ELECTRIC CONTROL OF BOTH
 DESKTOP AND MONITOR LEDGE PROVIDE
 SIT-TO-STAND CAPABILITY

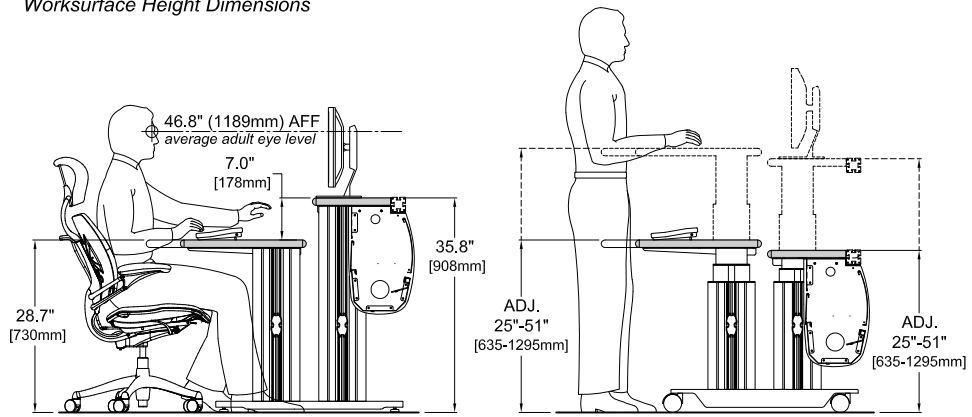


ST-BL-CFT

Caster foot, replaces standard foot.
 Silver finish with (2) grey casters.

Rear view showing optional rear door, see p.9 for more SmartTrac accessories

Worksurface Height Dimensions

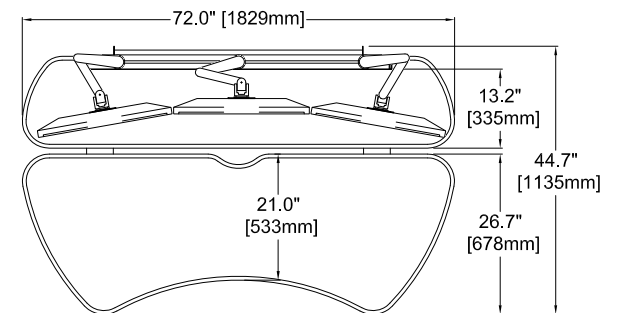


Fixed Height Version

Height-Adjustable "Sit-Stand" Version

optional equipment shown

Footprint Dimensions



As shown in this top view, the rear monitor ledge will fit (3) 24" monitors, or (2) 24" monitors and a pair of small speakers.

SmartTrac[®] v2 Product Guide

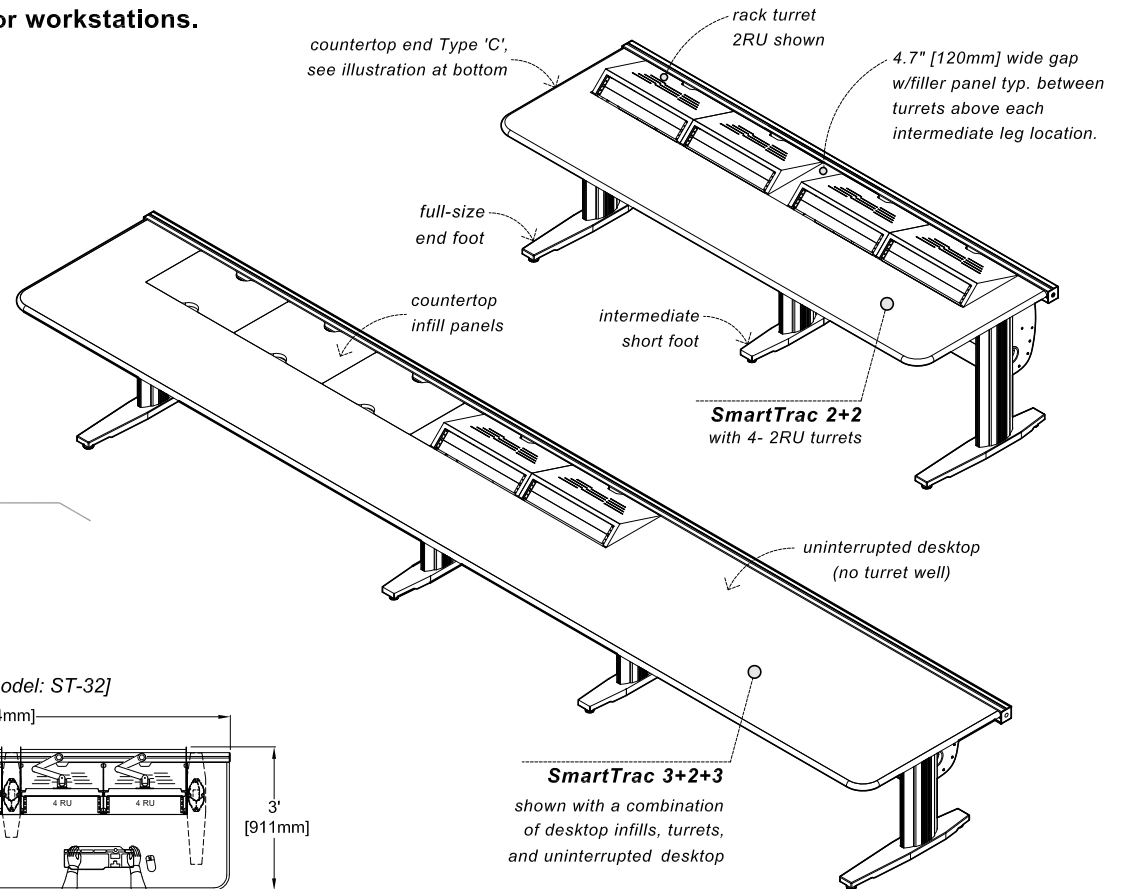
note: product may differ in appearance from items shown below.
please call for pricing.



Overview of Linked Consoles

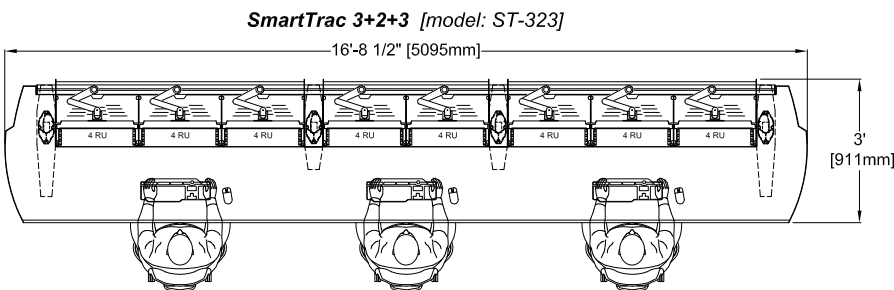
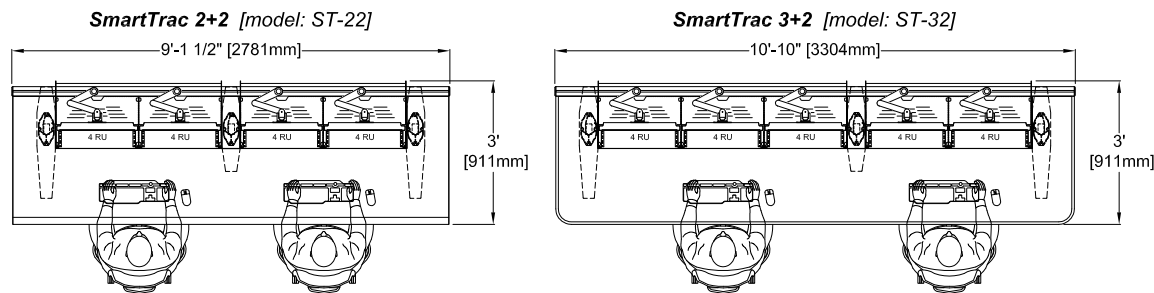
SmartTrac Consoles can be "Linked" together to create multi-operator workstations.

- Available with an open "turret well" that accepts optional modular components such as equipment turrets and desktop inflills, or with continuous uninterrupted desktops.
- Just like standard SmartTracs, our linked consoles feature a cable + power management compartment (core) and a continuous rear device track. With optional transitions all of the cable/power cores can be linked for through cabling from one end to the console to the other.
- Linked consoles will accept most SmartTrac accessories (p.9-10), such as monitor and speaker mounts, turrets and inflills, and rear doors. CPU holders can mount to the outside of end legs only, and the electric leg upgrade is limited to certain models, please call to discuss.
- Typically, linked consoles will utilize standard SmartTrac legs with full-size feet at the ends, with shorter feet on intermediate legs for operator comfort, exceptions may apply on certain configurations as required.
- Countertop finishes typically are laminate or linoleum with black bumper edge or upgraded to a Purtech (R) urethane edge. Acrylic or Corian (R) countertops are also available. Color suggestions can be found on the TBC website [finishes page](#). Other finishes may be available by special request.

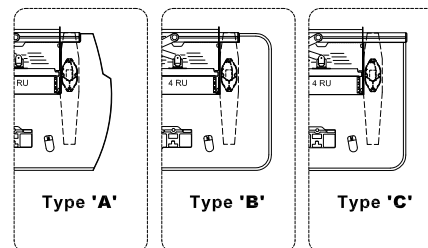


Typical examples of Linked Configurations:

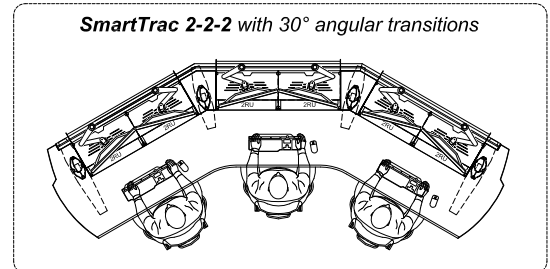
The configurations shown here are just a small sampling of possible layouts that can be created with the SmartTrac Linked system. Please call to discuss your specific needs.



Different countertop end treatments are available, to accommodate aesthetic or space requirements.



Angular configurations also available, call for details.

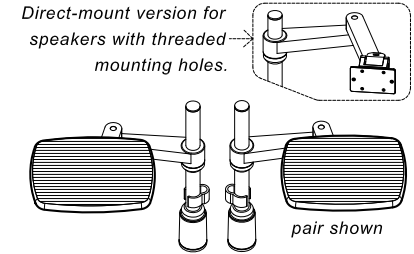
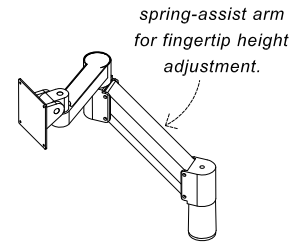
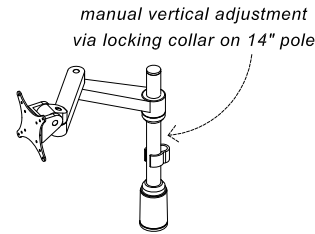
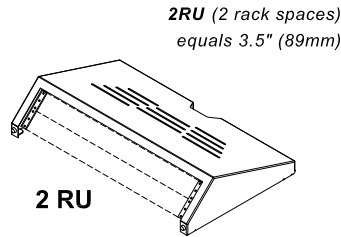
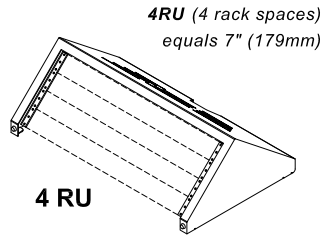


SmartTrac® v2 Product Guide

note: product may differ in appearance from items shown below.
illustrations are not to scale.



Accessories



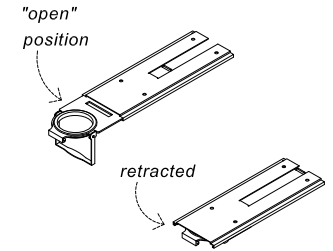
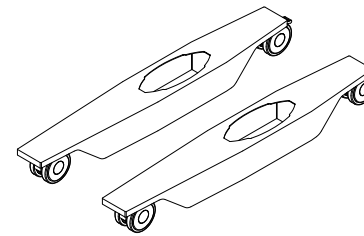
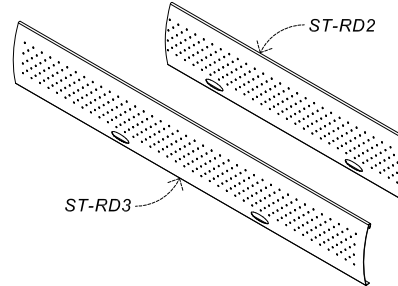
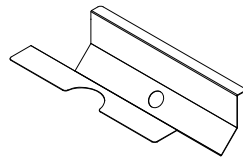
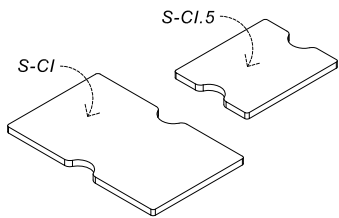
ST-RT4
4RU rack turret made from lightweight aluminum with silver powdercoat finish, vented top. 10-32 rack rail std. 5.7" (144mm) height above c-top.

ST-RT2
2RU rack turret made from lightweight aluminum with silver powdercoat finish, vented top. 10-32 rack rail std. 3.2" (81mm) height above c-top.

FP-9222
LCD arm, trac mounted. VESA adapter plates included. Color: silver w/black trim

FP-3500
LCD arm, trac mounted, "floating" with fingertip height adjustment. VESA adapter plates included. Color: silver w/black trim

SM-C
Shelf mount, adjustable-height. Available with an 8"x10" ribbed rubber shelf, or direct mount adapter for speakers with threaded mounting holes. (18 lbs max. weight.)



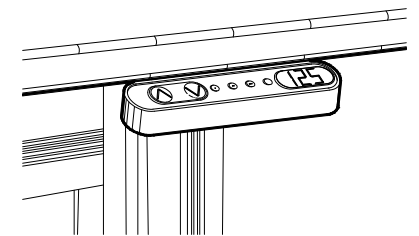
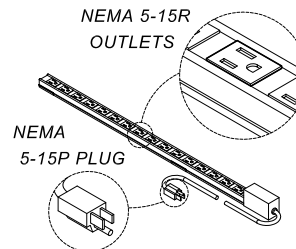
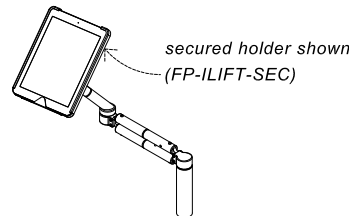
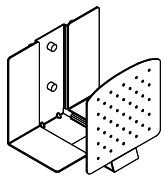
ST-CI
Countertop infill, 1-bay width (20.75")
ST-CI.5
Countertop infill, 1/2-bay width (10.375")
Stock finish: Shark Grey 3DL

ST-DW
Dropped well cover to allow LCDs to drop below desktop, replaces infill. Silver powdercoat finish.

ST-RD3
Rear door, vented, hinged and removable, fits **ST3**.
ST-RD2
Same as above, fits **ST2**.

ST-CFT
Caster foot, replaces standard foot. Silver finish with grey casters. Pair of feet shown. Typically sold in pairs, singles may be spec'd on linked consoles.

AC-CUP1
Retractable cup holder, for cups up to 3" dia, folds and retracts in one motion. Silver powdercoat finish. Works on all TBC trac-series consoles.



ST-CPU
Leg mounted CPU holder, fits Mac G5. Silver powdercoat finish. Mounts to track in leg.

FP-ILIFT
FP-ILIFT-SEC
Articulating tablet arm, fits iPad 2, 3, 4, Mini, and Air. Quick-release or secure holders.

PS-1615-ET
Power strip, 16 outlets, 15amp, mounted within i-core, matte black finish. For all **ST2** & **ST3** consoles.

TL-LITHAL-WB
TL-LITLED-WB
18" gooseneck task light with round weighted base. (Halogen or LED)

ST-EB
Electric base upgrade for all single base SmartTrac consoles (except Bi-Level). control panel shown

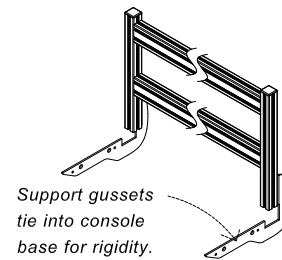
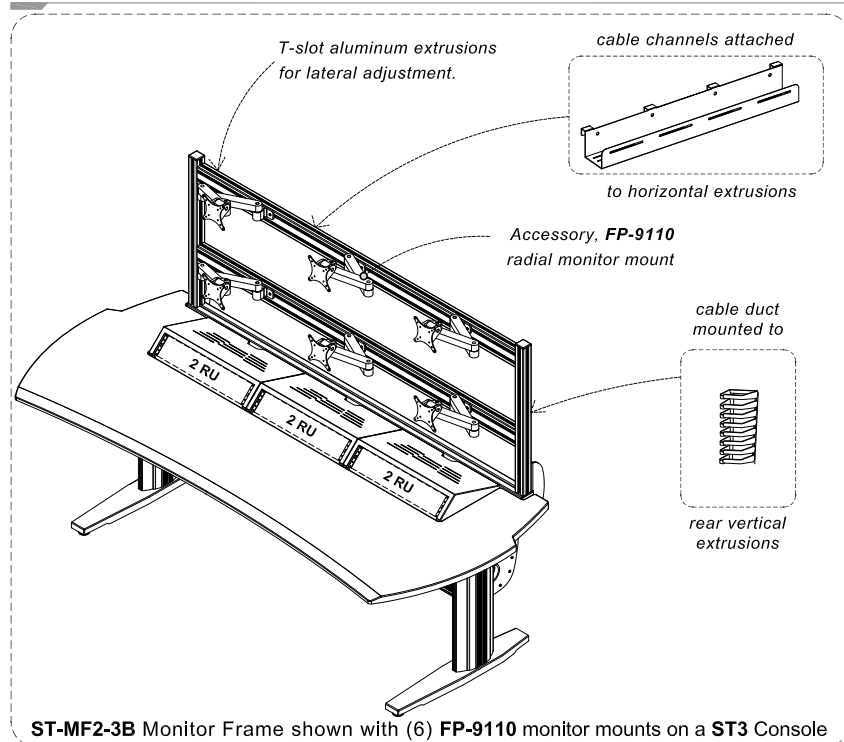
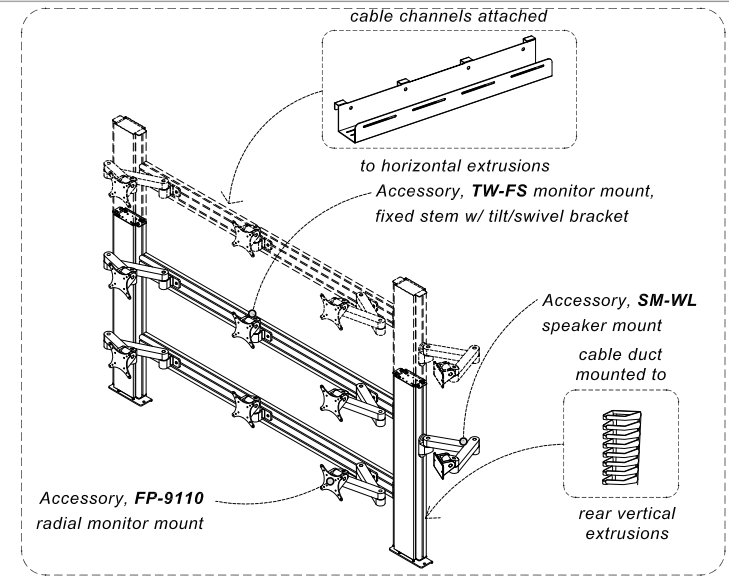
Accessories (continued)

Monitor Frame System:

- A framework that mounts to the rear device track of SmartTrac Consoles, Workstations, and Linked versions to allow multi-monitor arrangements.
- Rigid structure designed to eliminate monitor shake in multiple display configurations.
- Design allows precise and repeatable placement of monitors, plus lateral adjustment.
- Cable duct included to route wires neatly along framework into the core.
- T-slot extrusion framework provides multiple mounting locations for accessories such as speaker mounts and power strips.

Monitor Array System:

- All of the features and benefits of the Monitor Frame system plus 20" of electronic height-adjustability.
- Allows additional monitor height adjustment on sit-stand consoles.
- Optimal monitor ergonomics for sit/stand consoles with just the push of a button.
- The system can handle 1 to 2-tiers and each tier can accommodate up to 3 - 24" monitors .
- Contact a TBC project manager to learn more

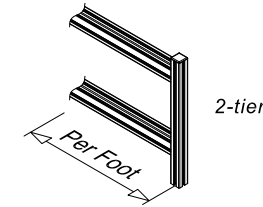


ST-MF2-2B

2 Tier monitor frame, 2-bay width (for ST2)

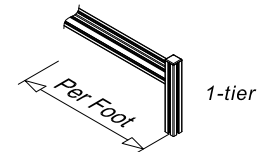
ST-MF2-3B

2 Tier monitor frame, 3-bay width (for ST3)
Includes cable management duct



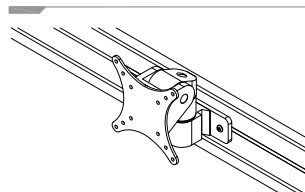
ST-MF2

2 Tier monitor frame, per lineal foot for linked and custom consoles. Includes vertical frame w/gusset and cable duct.



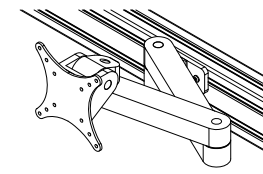
ST-MF1

1 Tier monitor frame, per lineal foot for linked and custom consoles. Includes vertical frame w/gusset and cable duct.



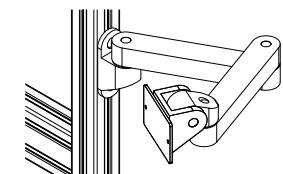
TW-FS

Wall/Monitor frame mount monitor arm, fixed stem w/tilt/swivel. VESA adapter plates included. 25 lb max. Color: silver w/black trim.



FP-9110

Wall/Monitor frame mount monitor arm. VESA adapter plates included. 25 lb max. Color: silver w/black trim.



SM-WL

Speaker mount, up to 10 lbs

SM-WH

Speaker mount, up to 25 lbs
Color: silver w/black trim.

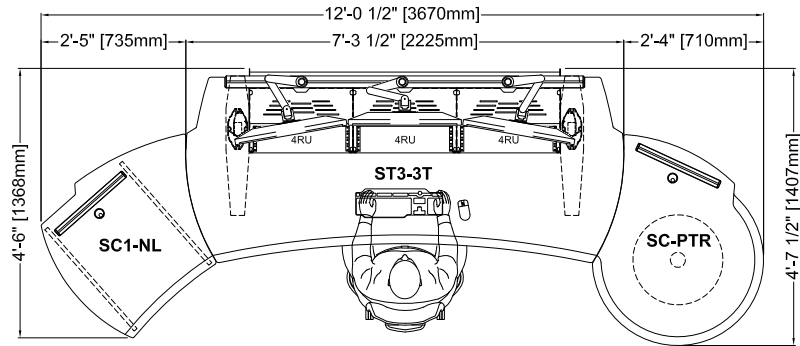
SmartTrac[®] v2 Product Guide

note: product may differ in appearance from items shown below.

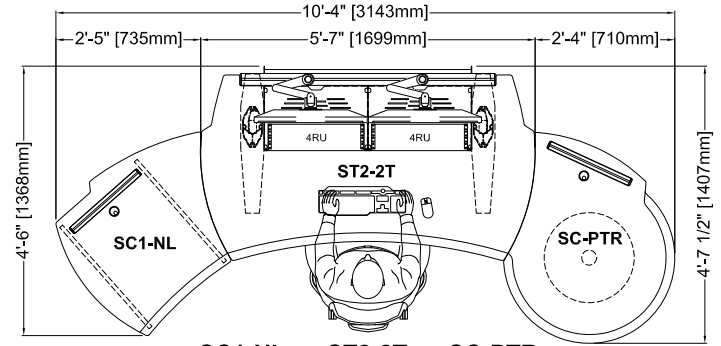


SmartTrac **ST3 Suites** *common configurations, see p.12 for SmartCarts.*

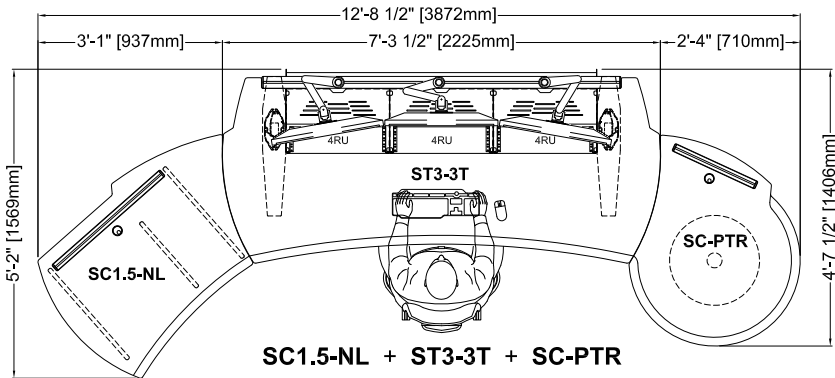
SmartTrac **ST2 Suites** *common configurations, see p.12 for SmartCarts.*



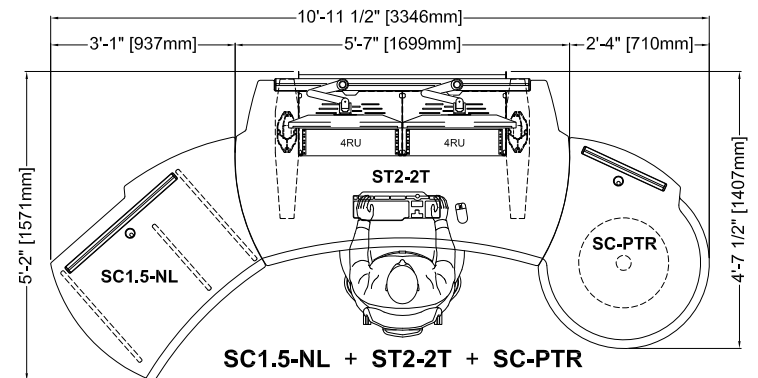
SC1-NL + ST3-3T + SC-PTR



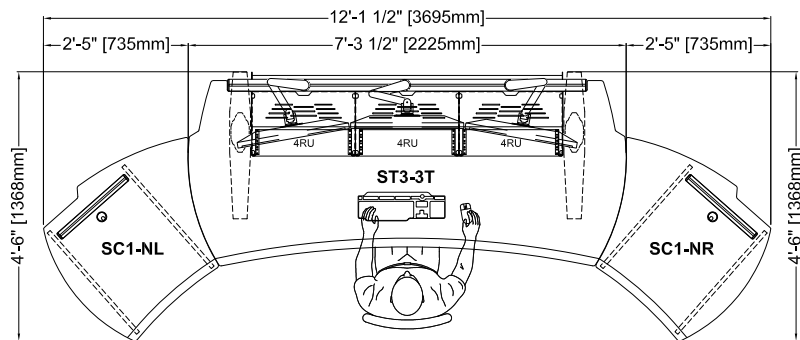
SC1-NL + ST2-2T + SC-PTR



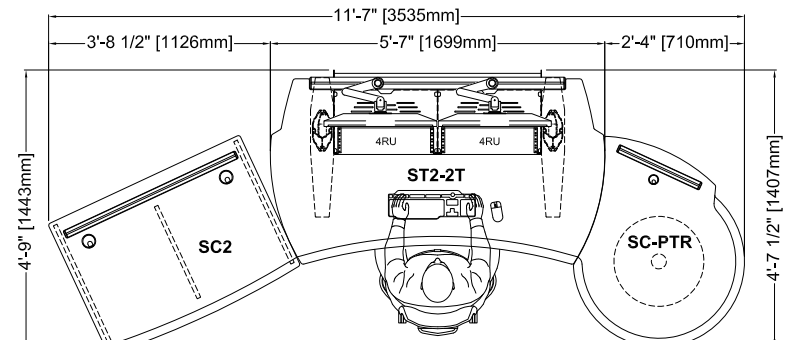
SC1.5-NL + ST3-3T + SC-PTR



SC1.5-NL + ST2-2T + SC-PTR



SC1-NL + ST3-3T + SC1-NR

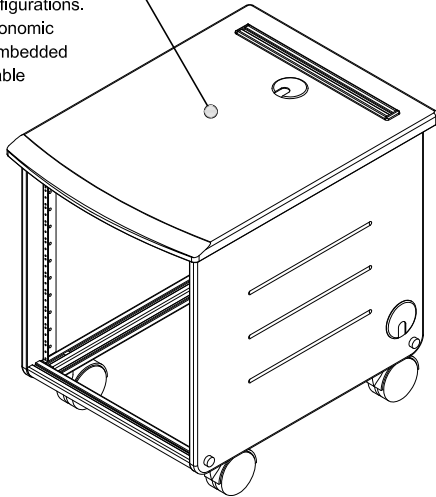


SC2 + ST2-2T + SC-PTR

Overview of Equipment Carts

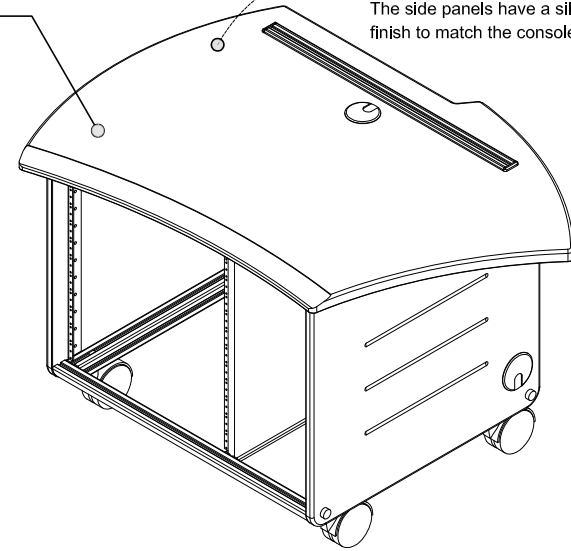
Standard Series

12ru mobile equipment rack. Available in 1-bay, 1.5-bay, and 2-bay configurations. Standard features include ergonomic thermofoil worksurface with embedded device track, vented + removable rear door, heavy duty casters, and front and rear rack rail. (see page 13)



'N' Series Nested

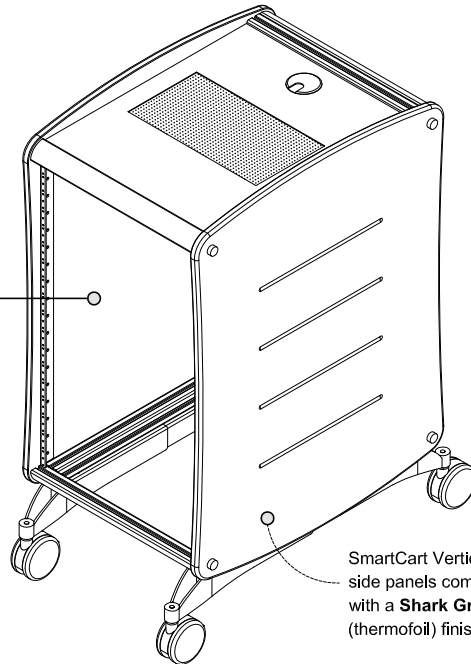
12ru mobile equipment rack. Available in 1-bay, and 1.5-bay configurations. Also available in a Producer's side table. The worksurface contour "nests" with the desktop profile of SmartTrac consoles. Standard features include ergonomic thermofoil worksurface with embedded device track, heavy duty casters, and front and rear rack rail. (see page 13)



SmartCart Standard and Nested series cart tops come standard with a **Shark Grey 3DL** (thermofoil) finish. The side panels have a silver 3DL finish to match the console leg.

'V' Series Vertical

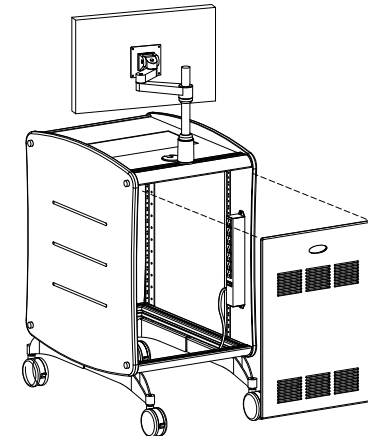
1-Bay mobile equipment rack available in 15, 18, and 24ru configurations. Benefits of vertical configuration include; efficient use of floor space with compact footprint, and allows for equipment at seated eye level in taller versions. Standard features include Thermofoil side panels, vented + removable rear panel, rear device track, heavy duty casters, and front and rear rack rail. (see page 13)



SmartCart Vertical Series side panels come standard with a **Shark Grey 3DL** (thermofoil) finish.

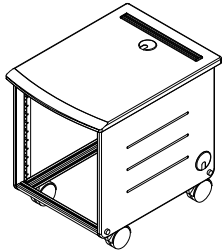
Note: There are optional rack mount locking drawers w/locks for storage. They are available in the following sizes, by height, 2RU, 3RU, 4RU, 5RU, and 8RU.

Rear view of **SC-V15** showing std. rear access panel, and optional monitor mount and power strip.

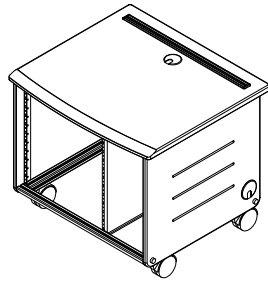


optional power strip shown

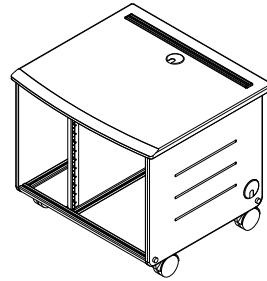
Standard Series Carts



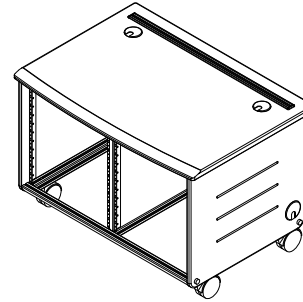
SC1
1-bay x 12ru mobile equipment rack



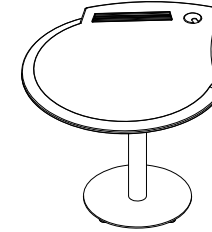
SC1.5-L
1.5-bay x 12ru mobile equipment rack with CPU cubby. (Rack left, CPU right)



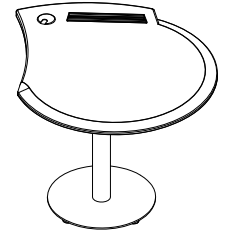
SC1.5-R
1-bay x 12ru mobile equipment rack with CPU cubby. (Rack right, CPU left)



SC2
2-bay x 12ru mobile equipment rack (24ru total)

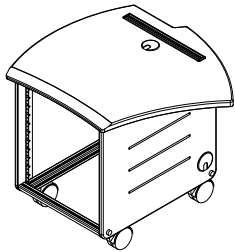


SC-PTL
Producer's table, w/rear trac
Nests on left side of console

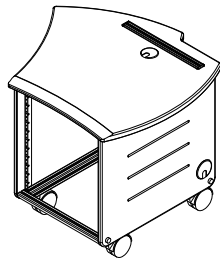


SC-PTR
Producer's table, w/rear trac
Nests on right side of console

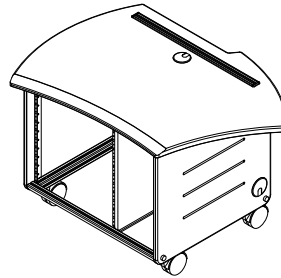
'N' Series Nested Carts



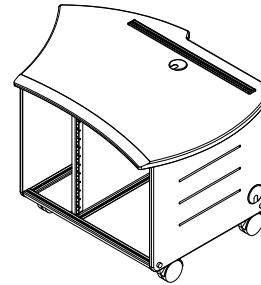
SC1-NL
1-bay x 12ru mobile equipment rack
Nests on left side of console



SC1-NR
1-bay x 12ru mobile equipment rack
Nests on right side of console

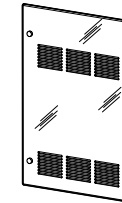


SC1.5-NL
1.5-bay x 12ru mobile equipment rack
Nests on left side of console. (CPU right)

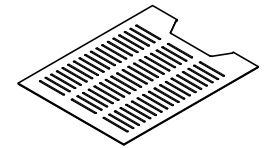


SC1.5-NR
1.5-bay x 12ru mobile equipment rack
Nests on right side of console. (CPU left)

SmartCart Accessories



SC1-PD
Hinged vented smoked Plexi door,
1 bay cart.

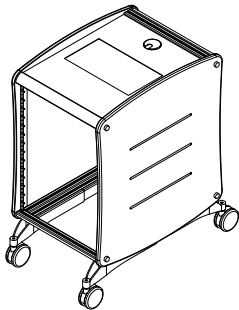


SC1-VB
Vented black HDPE bottom closure
pane, 1 bay cart.

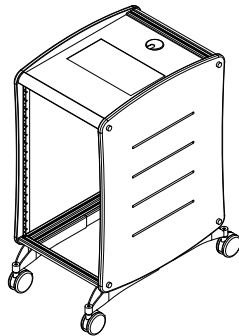
SC1.5-PD
Hinged vented smoked Plexi door,
1.5 bay cart.

SC1.5-VB
Vented black HDPE bottom closure
pane, 1.5 bay cart.

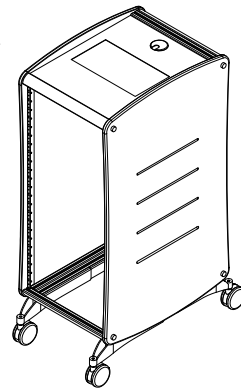
'V' Series Vertical Carts



SC-V15
15ru mobile equipment rack

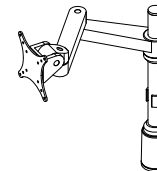


SC-V18
18ru mobile equipment rack

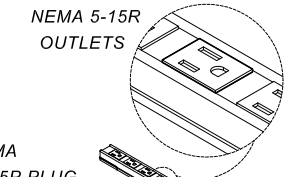


SC-V24
24ru mobile equipment rack

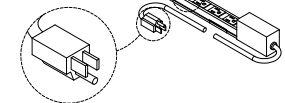
SmartCart Accessories



FP-9222
LCD arm, trac mounted. VESA adapter
plates included. Color: silver w/black trim



NEMA 5-15R OUTLETS



PS-0715-ET
Power strip, 7 outlets, 15amp, Mounts to
interior of cart side panel.