

Ikegami



Broadcast Monitor Lineup

HQLM-3125X 4K

4K **HDR** HQLM Series



Full HD Multi format **HDR** HLM60 Series



7-inch Dual Monitor/5-inch Triple Monitor





HQLM-3125X 31-inch 4K/HD Multi-format LCD Master Monitor

HDMI™ 4K HDR

NEW



The HQLM-3125X employs an LED-backlight 4096x2160 pixel 10-bit resolution UHD LCD panel with a contrast ratio of 1,000,000:1. 3G-SDI, HD-SDI and HDMI inputs are available as standard features. When it comes to 3G-SDIx4, square-division and two-sample interleave are available. For other 4K equipment, a dual-channel 12G-SDI input is also available. HQLM-3125X can also display test signals such as video waveform and display vertical interval time code. Additional broadcast related functions include an 8-channel embedded audio and closed caption displays.

31-inch 4K LCD	4096x2160 pixel	Viewing Angle 178degree(H/V)	Contrast Ratio 1M:1	Brightness 1000cd/m ²					
ITU-R BT.2020/ACES/DCI-P3	12G-SDI	3G-SDI	HD-SDI	HDMI (HDCP2.2)	Embedded Audio Output	Embedded Audio Meter	Stereo Speaker Out	5.1ch Surround Down-mix	
HDR(HLG)	HDR(PQ)	HD/UHD (2K/4K)	Remote (Parallel)	Remote (Ethernet)	Remote (RS485)	Marker	Uniformity function	ASC CDL*1	
Test Signal Generator	Mix Test Signal	VITC/LTC Display	WFM Monitoring Display	Mouse Menu Control	Multi-View	Vector Scope Display	UMD/IMD Display	Closed Caption	
3D LUT CC	Gamut Marker	Payload*2 ID	Auto *3 Calibration						
W762xH467xD172mm (*30x*18.39x*6.77inches)		30kg (66.14 lbs)							

Evolutionary Features for HQLM Series

HDR High Dynamic Range



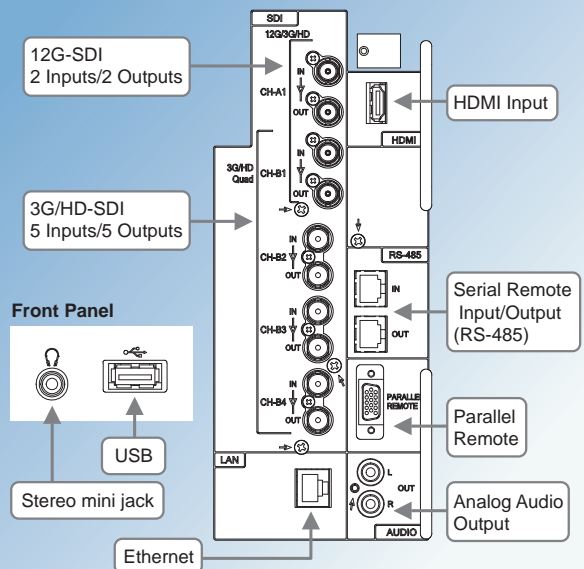
HDR

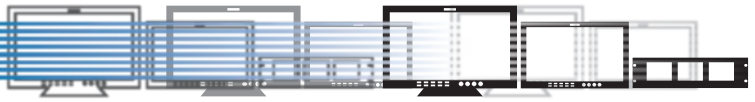
The HDR will comply with Hybrid Log-Gamma (HLG) and SMPTE ST 2084(PQ), among others, using direct backlight (brightness 1,000cd/m²). These features comply with the ITU-R BT.2020 and BT.2100 HDR standards. The HQLM-3125X provides a wide-color gamut corresponding to the ITU-R BT.2020 standard. Support for ITU-R BT.709/ DCI-P3 D65/ DCI-P3/ ACES/ Adobe RGB standards is also available.



SDR

Supports various Inputs/Outputs





HQLM-3120W 31-inch 4K/HD Multi-format LCD Monitor

HDMI™ 4K HDR



The HQLM-3120W is equipped with 2 channels of 12G-SDI input as standard for efficient configuration with 4K equipment such as cameras and switchers. In addition, this monitor includes 3G-SDI, HD-SDI and HDMI inputs as standard. It has the flexibility to work with various interfaces in the image production field. By employing a 31.1-inch 4096x2160 pixel UHD LCD panel using LED backlight, it can reproduce high resolution 4K and 2K images.

31-inch 4K LCD	4096x2160 pixel	Viewing Angle 178degree(H/V)	Contrast Ratio 1500:1	Brightness 350cd/m²	
ITU-R BT.2020/ACES/DCI-P3	12G-SDI	3G-SDI	HD-SDI	HDMI (HDCP2.2)	Embedded Audio Output
Embedded Audio Meter	Stereo Speaker Out	5.1ch Surround Down-mix			
HDR(HLG)	HDR(PQ)	HD/UHD (2K/4K)	Remote (Parallel)	Remote (Ethernet)	Remote (RS485)
Marker	Test Signal Generator	Mix Test Signal	VITC/LTC Display	WFM Monitoring Display	Mouse Menu Control
Multi-View	Vector Scope Display	UMD/IMD Display	Closed Caption	Payload*2 ID	Auto *3 Calibration
W750xH459xD107mm (W29.52xH18.07xD4.21inches)		14.5kg (31.96 lbs)			

HQLM-1720WR 17-inch 4K/HD Multi-format LCD Monitor

HDMI™ 4K HDR



The HQLM-1720WR is equipped with 2 channels of 12G-SDI input as standard for efficient configuration with 4K equipment such as cameras and switchers. In addition, this monitor includes 3G-SDI, HD-SDI and HDMI inputs as standard. It has the flexibility to work with various interfaces in the image production field. By employing a 16.5-inch 3840x2160 pixel UHD LCD panel using LED backlight, it can reproduce high resolution 4K and 2K images.

17-inch 4K LCD	3840x2160 pixel	Viewing Angle 178degree(H/V)	Contrast Ratio 800:1	Brightness 450cd/m²	
ITU-R BT.2020/ACES/DCI-P3	12G-SDI	3G-SDI	HD-SDI	HDMI (HDCP2.2)	Embedded Audio Output
Embedded Audio Meter	Stereo Speaker Out	5.1ch Surround Down-mix			
HDR(HLG)	HDR(PQ)	HD/UHD (2K/4K)	Remote (Parallel)	Remote (Ethernet)	Remote (RS485)
Marker	Test Signal Generator	Mix Test Signal	VITC/LTC Display	WFM Monitoring Display	Mouse Menu Control
Multi-View	Vector Scope Display	UMD/IMD Display	Closed Caption	Payload*2 ID	Auto *3 Calibration
W428xH309xD145mm (W16.85xH12.17xD5.7inches)		8.5kg (18.74 lbs)			

*1 The American Society of Cinematographers Color Decision List
 *2 12G-SDI : ITU-R BT.2077-2 / 3G-SDI : ITU-R BT.1120-9
 *3 Available from November 2019.



HLM-2460W 24-inch HDTV/SDTV Full HD Pixel Multi-format LCD Color Monitor

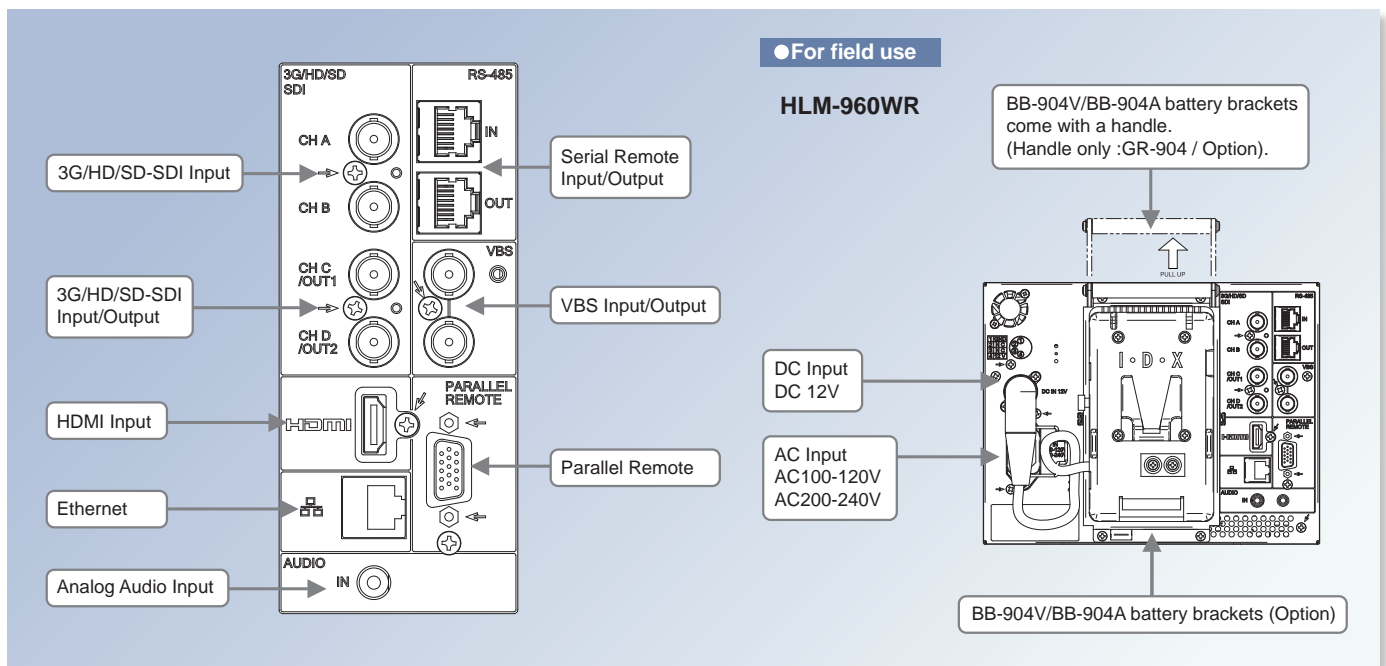
HDMI™ HDR



The HLM-2460W has a 24-inch Full HD 1920x1200 Pixel 400cd/m², 10-bit resolution LCD panel. This model offers very narrow front-to-back dimensions, light weight and low power consumption. Multi-format SDI, 3G-SDI, HDMI and VBS inputs are provided as standard. By employing a Full 1920x1200 pixel LCD panel which has wide viewing angle, high brightness, high contrast, fast motion response, and high quality colour reproduction, the HLM-2460W achieves real pixel allocation without resizing. Its superb gradation characteristics also make it ideal for a wide range of broadcast applications, including use in monitor walls.

24-inch Full HD	WUXGA (1920x1200 pixel)	66W	Viewing Angle 178degree(H/V)	Contrast Ratio 1500:1	AC-Input
VBS Input	3G/HD/SD(4:2:2)-SDI Input(max.4 Input)	Embedded Audio Meter	Analog Audio 2ch Input	5.1ch Surround Down-mix	HDMI
4:3/16:9	Remote (Parallel)	Remote (Mouse)	Remote (RS485)	Remote (Wireless)	Marker
10-Color temperature-memory	Stereo Speaker	Stereo Headphone	VITC/LTC Display	WFM Monitoring Display	User Marker (12 scenes)
UMD/IMD Display	Wipe Display	P in P Display	Split/Full Screen Comparison	4 Times Zoom	Shadow
					7-Test Signal Generator
					Mix Test Signal
					Mouse Menu Control
					Split Screen
					Dot-by-Dot Display
					Vector Scope Display
					USB Memory (Data/Picture)
					Closed Caption
					Ethernet
					HDR (Option)
					Auto * Calibration
w562xh398xh86mm (*22.1x*15.7x*3.4inches)		9.1kg (20.1 lbs)			

HLM 60series Connector Panel





HLM-1760WR 17-inch HDTV/SDTV Full HD Pixel Multi-format LCD Color Monitor

HDMI™ HDR



The HLM-1760WR has a 17-inch Full HD 1920×1080 Pixel 450cd/m², 10-bit resolution LCD panel. This model offers very narrow front-to-back dimensions, light weight and low power consumption. Multi-format SDI, 3G-SDI, HDMI and VBS inputs are provided as standard.

By employing a Full 1920×1080 pixel LCD panel which has wide viewing angle, high brightness, high contrast, fast motion response, and high quality colour reproduction, the HLM-1760WR achieves real pixel allocation without resizing. Its superb gradation characteristics also make it ideal for a wide range of broadcast applications, including use in monitor walls.



17-inch Full HD	1920×1080 pixel	AC: 40W DC: 36W ^(max)	Viewing Angle 178degree(H/V)	Contrast Ratio 1500:1	AC-Input	DC-Input
Battery (Option)						
VBS Input	3G/HD/SD(4:2:2)-SDI Input(max. 4 Input)	Embedded Audio Meter	Analog Audio 2ch lputput	5.1ch Surround Down-mix	HDMI	
4:3/16:9	Remote (Parallel)	Remote (Mouse)	Remote (RS485)	Remote (Wireless)	Marker	User Marker
Shadow	7-Test Signal Generator	Mix Test Signal	10-Color temperature-memory	Monaural Speaker	Stereo Headphone	VITC/LTC Display
WFM Monitoring Display	Mouse Menu Control	Split Screen	Dot-by-Dot Display	Vector Scope Display	USB Memory (Data/Picture)	UMD/IMD Display
Wipe Display	P in P Display	4 Times Zoom	Closed Caption	Ethernet	HDR (Option)	Auto * Calibration
W428.4×301.0×80mm (W16.9×11.9×3.2inches)		7RU	Approx 5.8kg (12.79 lbs)			

HLM-960WR 9-inch HDTV/SDTV Full HD Pixel Multi-format LCD Color Monitor

HDMI™ HDR



The HLM-960WR is a highly compact multi-format LCD monitor with a 9-inch Full HD 1920×1080 pixel 400cd/m² 8-bit resolution LCD panel. This model offers very narrow front-to-back dimensions, light weight and low power consumption. Multi-format SDI, 3G-SDI, HDMI and VBS inputs are provided as standard. The HLM-960WR is low in power consumption, supporting either AC or DC powering. Battery operation is available using an optional battery bracket. The monitor has a USB connector on the operation panel, allowing setup file store & recall, as well as, remote operation from a mouse for menu navigation, including user maker operation, etc.



9-inch Full HD	1920×1080 pixel	AC: 28W DC: 27W	Viewing Angle 178degree(H/V)	Contrast Ratio 700:1	AC-Input	DC-Input
Battery (Option)						
VBS Input	3G/HD/SD(4:2:2)-SDI Input(max. 4 Input)	Embedded Audio Meter	Analog Audio 2ch lputput	5.1ch Surround Down-mix	HDMI	
4:3/16:9	Remote (Parallel)	Remote (Mouse)	Remote (RS485)	Remote (Wireless)	Marker	User Marker
Shadow	7-Test Signal Generator	Mix Test Signal	10-Color temperature-memory	Monaural Speaker	Stereo Headphone	VITC/LTC Display
WFM Monitoring Display	Mouse Menu Control	Split Screen	Dot-by-Dot Display	Vector Scope Display	USB Memory (Data/Picture)	UMD/IMD Display
Wipe Display	P in P Display	4 Times Zoom	Closed Caption	Ethernet	HDR (Option)	Auto * Calibration
W222.4×173.0×69.5mm (W8.8×6.8×2.8inches)		4RU	Approx 1.7kg (3.75 lbs)			



Common features for HLM 60 series

High Dynamic Range (Factory Option)

The 60 series monitors support HDR (High Dynamic Range) EOTF tables of HLG1, HLG2, and S-Log3 as an option in addition to conventional gamma.



SDR picture

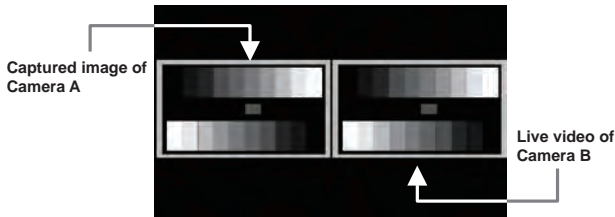


HDR picture

2 Split-Screen Display

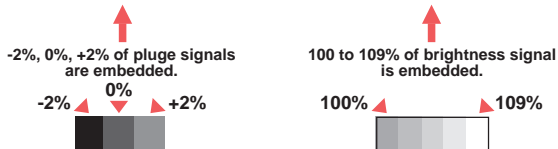
Captured image and live video can be displayed simultaneously on the same screen. Display mode can be selected from side by side, picture in picture, horizontal wipe, and vertical wipe. This function is convenient for adjusting colors and position of multiple cameras. Two live signals also can be displayed.

2-Split-Screen Display



MIX TEST SIGNAL Function

It is possible to mix the live picture with a reference TEST signal generated by the monitor. This provides a good reference for black and white levels which could otherwise be difficult to confirm with certainty due to the front panel adjustment of Contrast and Brightness. Regarding the peak level of the input signal, users can confirm an overload with the Alarm LED (OVER RANGE) on the Front panel.



Zoom Display Function

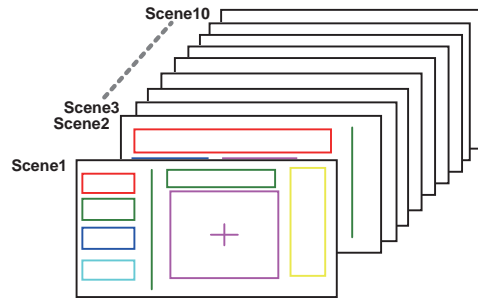
This function is to enable 2X/4X magnification without scaling of the image. It is useful to confirm errors in the signal, such as dead pixels of a CCD camera and to check in the detailed sections of the picture.



Use Marker Function (Patent Pending)

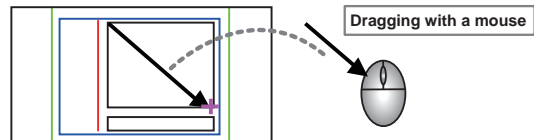
10 different Scene files for User Markers

It is possible to create User Marker displays, up to 10 scenes. Each scene can be set in real time by users with the "FUNCTION" switch on the front panel.



Easy Drawing with USB Mouse

Marker drawing with a USB mouse is possible. For precise adjustment, it is possible to adjust down to 1 pixel out of 1920x1080 pixels. Also, numerical management is provided with XY coordinate data. In addition, by saving the files to USB memory, the marker data can be copied to another identical model.

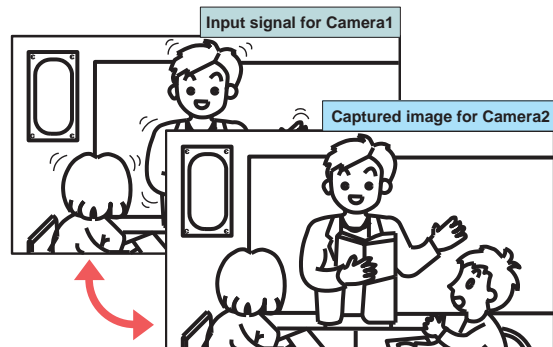


Full Screen Capture Function

By capturing a full screen (1920x1080), it is possible to compare a live image with a captured still image. Switching between live and still can be done manually or automatically. By copying a captured image to USB memory, users can set the same viewing angle as in the prior shot referring to the captured still image.

Manual Switching

By capturing the image of one of two cameras, it allows users to switch and compare a captured still image with the live image of the other camera. Even if the two video images are not synchronized, switching of images can be done smoothly without any shock. It is useful for luminance or color tone adjustment.



Auto Switching

The time interval of auto switching can be changed per frame (1/2/3/5/10/30 frame). By storing the captured still images in USB memory, and then downloading the image, users can set the same viewing angle and same color as in the prior shot. It can be helpful for "frame-by-frame" shooting.





HLM-5013WR 5-inch Triple Multi-Format LCD Monitor

High-End Broadcast LCD Monitor



Ikegami introduces a triple 5 inch high performance, rack mount ready, professional broadcast monitor that features 2 channels of SD-SDI/HD-SDI/3G-SDI Multi-Format Signal Inputs, 800X480 with LED Back Light panel resolution, Title Generator, Embedded Audio Level Indicators up to 16ch, Waveform Display, Vector Scope and many of the other advantages as higher level broadcast display offerings.

Triple 5-inch Wide	800x480 pixel	AC:34W DC:28.8W/2.4A
Viewing Angle 170degree(H/V)	Contrast Ratio 500:1	
3G/HD/SD(4:2:2)-SDI Input	Embedded Audio Meter	
4:3/16:9	Remote (Parallel)	Marker
3-Color temperature-memory	VITC/LTC Display	WFM Monitoring Display
Vector Scope Display	User Display	
W481x188.1x56.2mm (W18.88x7.5x2.22inches)	2RU	Approx. 1.7kg (3.75lbs)

HLM-7012WR 7-inch Dual Multi-Format LCD Monitor

High-End Broadcast LCD Monitor



Ikegami introduces a dual 7 inch high performance, rack mount ready, broadcast monitor that features 2 channels of SD-SDI/HD-SDI/3G-SDI Multi-Format Signal Inputs, 800X480 with LED Back Light panel resolution, Title Generator, Embedded Audio Level Indicators up to 16ch, Waveform Display, Vector Scope and many of the other advantages as higher level broadcast display offerings.

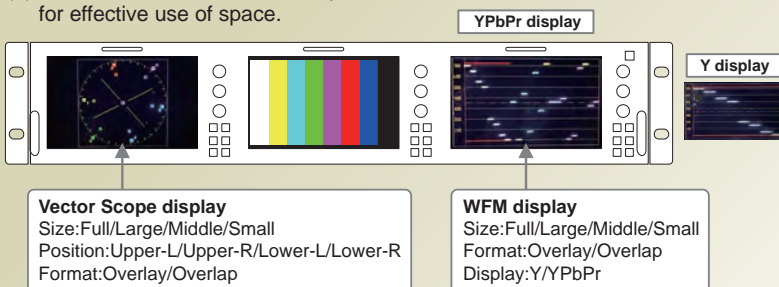
Dual 7-inch Wide	800x480 pixel	AC:30W DC:26.4W/2.2A
Viewing Angle 160degree(H/V)	Contrast Ratio 1000:1	
3G/HD/SD(4:2:2)-SDI Input	Embedded Audio Meter	
4:3/16:9	Remote (Parallel)	Marker
3-Color temperature-memory	VITC/LTC Display	WFM Monitoring Display
Vector Scope Display	User Display	
W481x132.6x56.2mm (W18.88x5.25x2.22inches)	3RU	Approx. 2.1kg (4.63lbs)

Feature for HLM-5013WR/HLM-7012WR

●WFM & Vector Scope display

* The following images are for HLM-5013WR, HLM-7012WR contains similar features.

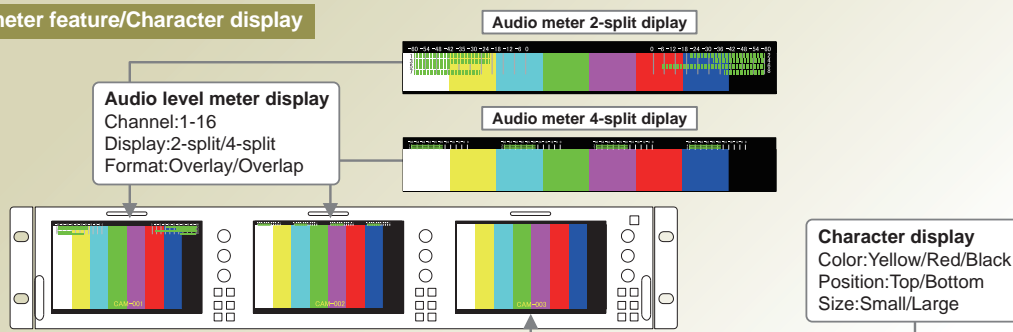
(1) Full screen WFM & Vector Scope for effective use of space.



(2) 4-type of display size. (Full/Large/Middle/Small) Overlapping on video also available.



●Audio level meter feature/Character display



Specifications



		HQLM-3125X	HQLM-3120W	HQLM-1720WR
Display Panel	LCD Panel	a-Si TFT-LCD		
	Number of Pixels	H4096xV2160 pixels		H3840xV2160 pixels
	Pixel Pitch	0.1704x0.1704 mm		0.09945x0.09945 mm
	Display Size	17:9 W698xH368mm		16:9 W382xH215mm
	Brightness (panel)	1,000cd/m ²	350cd/m ²	450cd/m ²
	Contrast Ratio	1,000,000:1	1500:1	800:1
	Number of Display Colors	1.07 billion colors		16.78 million colors
	Viewing Angle	178° (up&down, left&right: CR≥10)		
Rating & Performance	Color Temperature Setting	D65 / D93 / FILE 1 to 8		
	EOTF	ITU-R BT.2100, SMPTE ST.2084, 2.2, 2.4, 2.6, S-Log, S-Log3, ACES Proxy		
	Color Space	ITU-R BT.2020*, ITU-R BT.709, DCI-P3 D65*, DCI-P3*, ACES*, Adobe RGB*, S-Gamut, S-Gamut3.Cine, Panel *Color space can not be fully displayed.		
	Power Requirement	AC100 to 120 / 200 to 240V±10%, 50/60Hz		
	Power Consumption	Approx.450W	Approx.150W	Approx.120W
	Ambient Temperature	0°C to +35°C (32°F to +95°F) (20 to 85% humidity non-condensing)	0°C to +40°C (32°F to +104°F) (20 to 85% humidity non-condensing)	
	Storage Temperature	-10°C to +50°C (14°F to +122°F) (10 to 85% humidity non-condensing)	-20°C to +60°C (-4°F to +140°F) (5 to 85% humidity non-condensing)	-20°C to +60°C (-4°F to +140°F) (20 to 85% humidity non-condensing)
	Dimensions	W762xH467xD172mm (W30xH18.39x D6.77 inch)	W750xH459xD107.2mm (W29.52xH18.07x D4.22 inch)	W428xH309xD145mm (W16.85xH12.17x D5.7 inch)
Weight *Excluding stand	30kg (66.14lbs)	14.5kg (31.96lbs)	8.5kg (18.74lbs)	
Video	Input/Output	12G-SDI	2 BNC inputs / 2 BNC outputs (Active Loop Through) Max.70m with 5.5CUHD cable	
		3G-SDI/HD-SDI	5 BNC inputs (2 shared with 12G-SDI) / 5 BNC outputs (Active Loop Through)	
		HDMI	1 input (HDCP2.2)	
Audio	Display	Embedded Audio Level Meter Display (8ch)		
	Speaker	Rating Output	1W+1W or more	
		Analog Audio Output	● (Stereo)	
	5.1ch Surround Down-mix Output	●		
Headphone Output	●			
Command Control	Ethernet	●		
	Parallel Remote	●		
	Serial Remote (RS-485)	●		
	TSL (V3.1/V5.0)	●		
	USB Mouse	●		
	Infrared rays Remote (Controlled by RCT-30A)	●		
Function	Built-in Test Signal	● (7 types)		
	Marker	●		
	User Marker	● (10 Scenes x 12 Markers)		
	WFM (R/G/B/RGB/Y/Cb/Cr/YCbCr)	●		
	VITC	●		
	LTC	●		
	Vector Scope (VSC)	●		
	4-split Screen	●		
	Auto Calibration	● (future)		
	UMD/IMD	●		
	Closed Caption(EIA/CEA-708)	●		
	HDR	●		
	U. SELECT (1-4)	●		
	Payload ID	●		
	3D&1D LUT Correction	●		—
ASC CDL (Picture quality adjustment)	●		—	
Gamut Marker	●		—	
Uniformity Function	●		—	

● : Standard



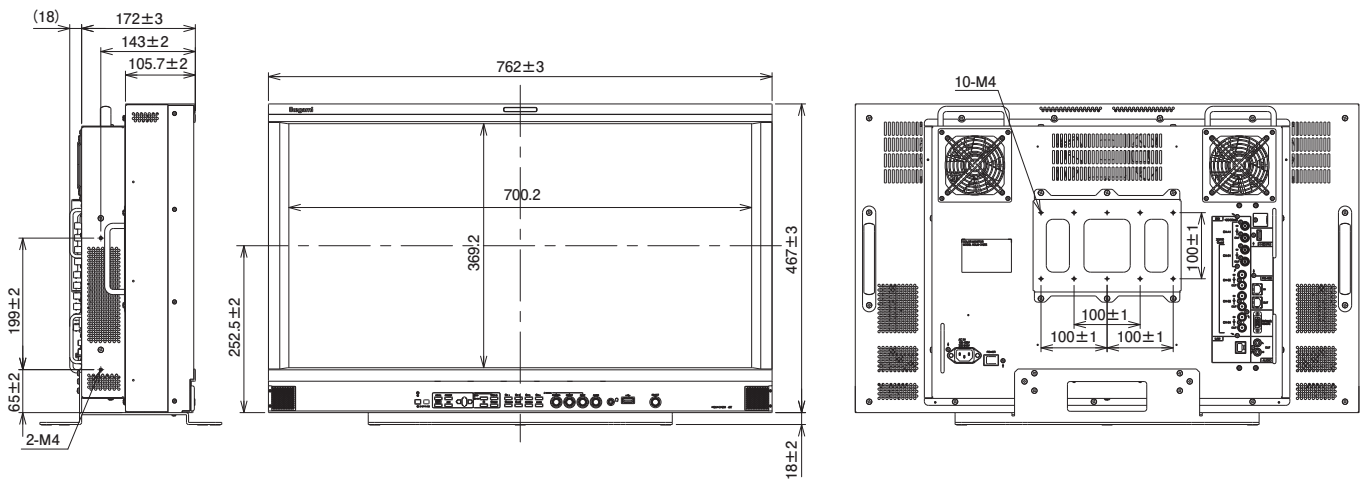
		HLM-2460W	HLM-1760WR	HLM-960WR	HLM-5013WR	HLM-7012WR	
Display Panel	Type of Panel	LCD / LED Backlight					
	Number of Pixels	Effective Number of Pixels	Full HD (16:9)			WVGA (15:9) 800x480	
		Number of Pixels in 16:9	1920x1200	1920x1080		800x450	
	Display Size (Diagonal)	Display Size (Viewing Area)	24.0"	16.5"	9"	5.0"	7.0"
		in 16:9	24.0"	16.5"	9"	4.9"	6.9"
	Brightness (panel)	400cd/m ²	450cd/m ²	400cd/m ²	180cd/m ²	290cd/m ²	
	Contrast Ratio (typical)	1500:1		700:1	500:1	1000:1	
	Number of Display Colors	1.07 billion colors / 10bit		16.77 million colors (RGB 8bit FRC)	16.77 million colors / 8bit		
	Viewing Angle (up & down, left & right typical)	178°			176°		
	Rating & Performance	Power Requirement	AC100-120V / AC200-240V			AC100-240V (When using AC Adaptor)	
Power Consumption (max)		AC (Standard Spec)	66W	40W	28W	1.7A	
		DC (Standard Spec)	—	36W / 3.2A	27W / 2.4A	34W	30W
Ambient Temperature		0°C to +40°C (32°F to +104°F) (20 to 85% humidity non-condensing)			0°C to +40°C (32°F to +104°F) (30 to 85% humidity non-condensing)		
Storage Temperature		-20°C to +60°C (-4°F to +140°F) (5 to 85% humidity non-condensing)			-20°C to +60°C (-4°F to +140°F) (0 to 90% humidity non-condensing)		
Dimensions		W562xH398xD86mm (W22.1xH15.7xD3.4 inch)	W428xH301xD80mm (W16.9xH11.9xD3.2 inch)	W222.4xH173xD69.5mm (W8.8xH6.8xD2.8 inch)	W481xH88.1xD56.2mm (W18.88xH3.5xD2.22 inch)	W481xH132.6xD56.2mm (W18.88xH5.25xD2.22 inch)	
Rack-mountable Space		9U	7U	4U	2U	3U	
Weight *Excluding stand		Approx 9.1kg (20.1 lbs)	Approx 5.8kg (12.79 lbs)	Approx 1.7kg (3.75 lbs)	Approx 1.7kg (3.74 lbs)	Approx 2.1kg (4.63 lbs)	
Supporting Formats		SDTV	480i/59.94, 576i/50, 480p/59.94*, 576p/50* (*HDMI only)			480i/59.94, 575i/50	
		HDTV	1035i/59.94/60*, 1080i/50/59.94/60 1080p/23.98/24/25/29.97/30/50/59.94/60 1080psF/23.98/24/29.97/30 720p/23.98/24/25/29.97/30/50/59.94/60(*SDI only)			1080i/50/59.94/60 1080p/23.98/24/25/29.97/30/50/59.94/60 1080psF/23.98/24/29.97/30 720p/23.98/24/25/29.97/30/50/59.94/60	
Video	Input/Output	HD/SD-SDI	● 2 Inputs, 2 Outputs (or 4 Inputs, 0 Output) *1			● 2 Inputs, 1 Output *2	
		3G-SDI					
		VBS	● 1 Input/Output (Loop Through)			—	
		HDMI	● 1 (HDCP)			—	
Audio	Input	Analog Audio Input ● (Stereo mini jack)			—		
	Display	Embedded Audio Level Meter Display ● (8ch)			● (16ch)		
	Speaker	Rating Output	1W+1W	1W		—	
		Analog Audio Output	● (Stereo)	● (Monaural)		—	
		Embedded Digital Audio Output	● (Stereo)	● (Monaural)		—	
	5.1ch Surround Down-mix Output	●			—		
Headphone Output	●			—			
Command Control	Ethernet	●			—		
	Parallel Remote	●			—		
	Serial Remote (RS-485)	●			—		
	TSL (V3.1/V5.0)	●			—		
	USB Mouse	●			—		
	Infrared rays Remote (Controlled by RCT-30A)	●			—		
Function	Display	Built-in Test Signal	● (7 types)			—	
		Marker	Safety Marker: 100% + 80~99% (Every 1% step) Area Marker: 4:3 (at 16:9), 13:9, 14:9, 15:9, 16:9 (at 4:3), 1.85:1, 2.35:1 Cross Marker: Cross, 5x5, 10x10			Safety Marker: 100% + 80~99% (Every 1% step) Area Marker: 4:3 (at 16:9), 13:9, 14:9, 15:9, 16:9 (at 4:3), 1.85:1, 2.35:1	
		User Marker	● (10 Scenes x 12 Markers)			—	
		Shadow	Area Marker: 4:3 (at 16:9), 13:9, 14:9, 15:9, 16:9 (at 4:3) Shadow Level: 0%, 20%, 40%, 60%			—	
		WFM Display	●			—	
		Time Code	● (LTC, VITC, HD-SDI)			● (LTC / VITC1 / VITC2)	
		Vector Scope (VSC)	●			—	
		2 Screen Display	Still Image & Moving Picture, P in P, Side by Side, Wipe			—	
		Full Screen Capture Display	● (1920x1080)			—	
		UMD/IMD	●			—	
	Others	Video & TEST Signal Mix	●			—	
		Zoom Function	●			—	
		Dot by Dot Display	●			—	
		HDR	▲			—	
		Rotary Encoder	●			—	
		Operating Time Display	●			—	
		Color Temp Memory	● 6500K / 9300K / 8 User Settings			● 6500K / 9300K / 1 User Setting	
		Color/Mono Switching	●			—	
		VBS COMB Filter	●			—	
		APT	● (ON/OFF, Frequency)			●	
Others	Backlight Dimmer	●			—		
	R/G/B Screen Display ON/OFF	●		● (MENU)		—	
	Scan Selection	NORMAL / UNDER			NORMAL / OVER / 4:3ZOOM		
	Aspect Selection	4:3/16:9 (SDTV)			AUTO / 4:3 / 16:9		
	I/P Conversion Mode	FIELD			FRAME		
	External Memory	● (USB, Max. 100 frames)			—		
	Saving Still Image (in USB)	●			—		
	Function Key	● 4			—		
	SDI Channel Lock Setting	●			—		
	USB Memory Version-up	●			—		
Closed Caption	●			—			

● : Standard, ▲ : Option

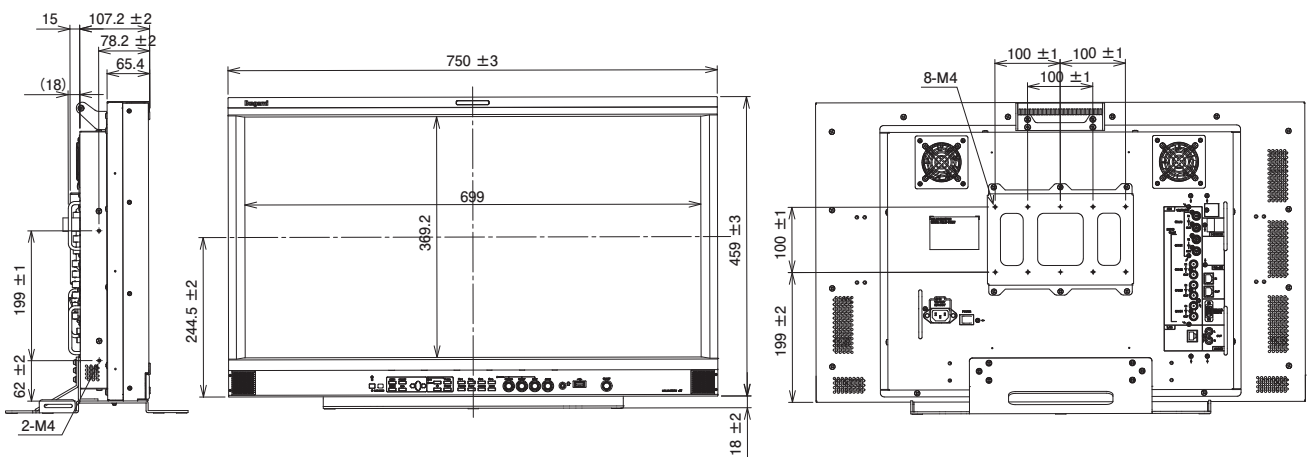
*1 SMPTE425M-A/B, YPBPR, 4:2:2 *2 Supports after MPU(Ver 01.04) and FPGA(Ver 02)

Dimensions

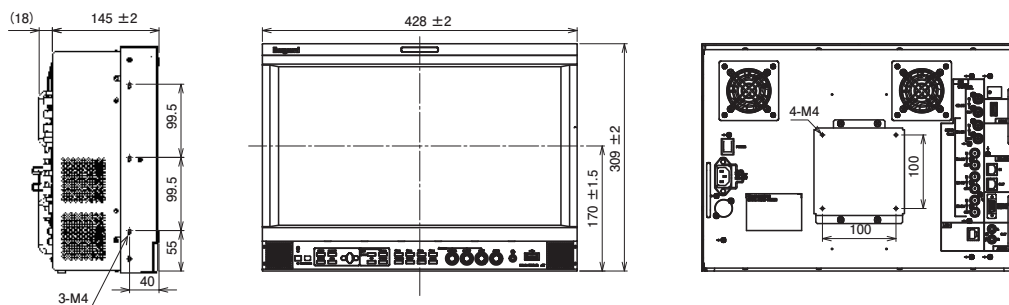
HQLM-3125X



HQLM-3120W

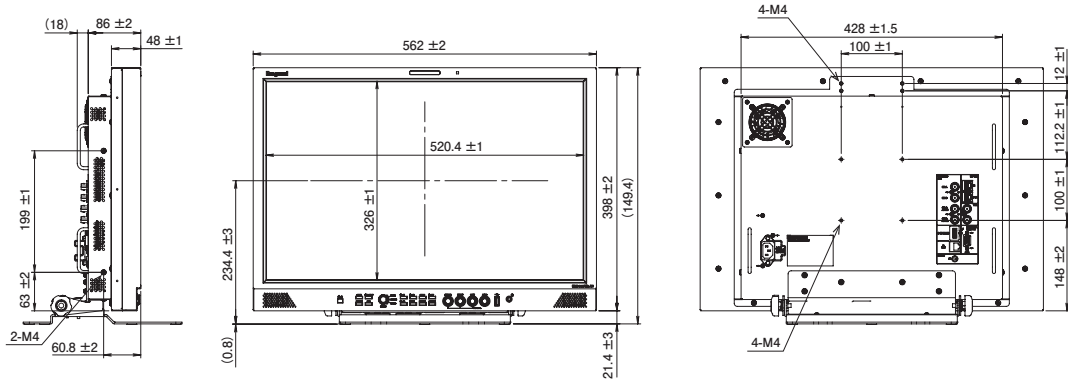


HQLM-1720WR

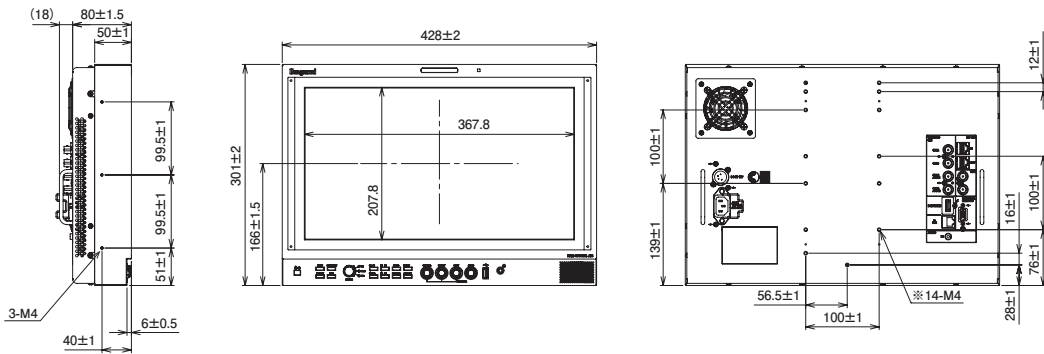


Unit:mm

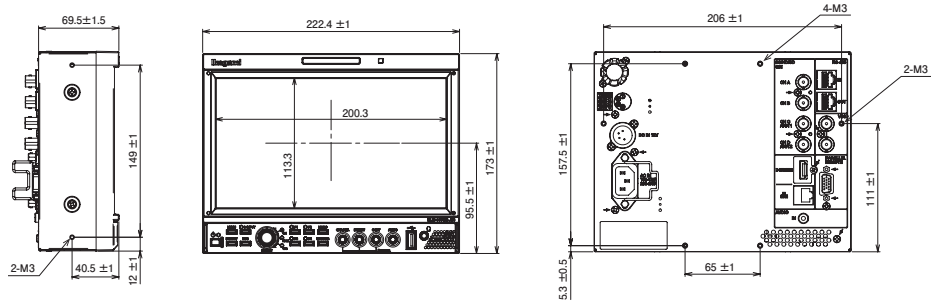
HLM-2460W



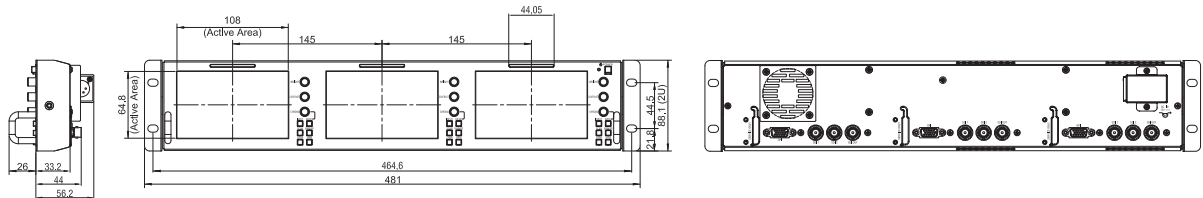
HLM-1760WR



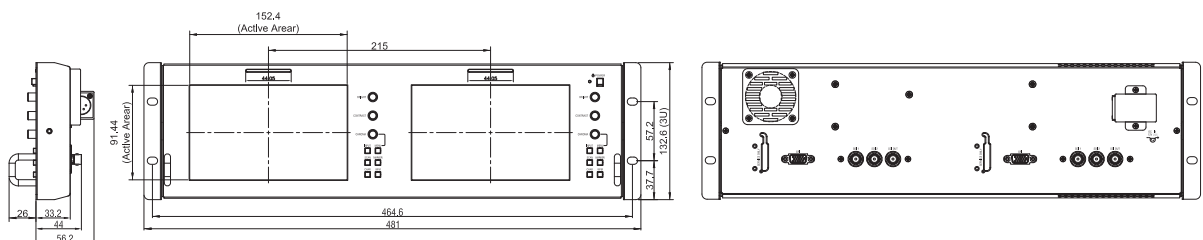
HLM-960WR



HLM-5013WR

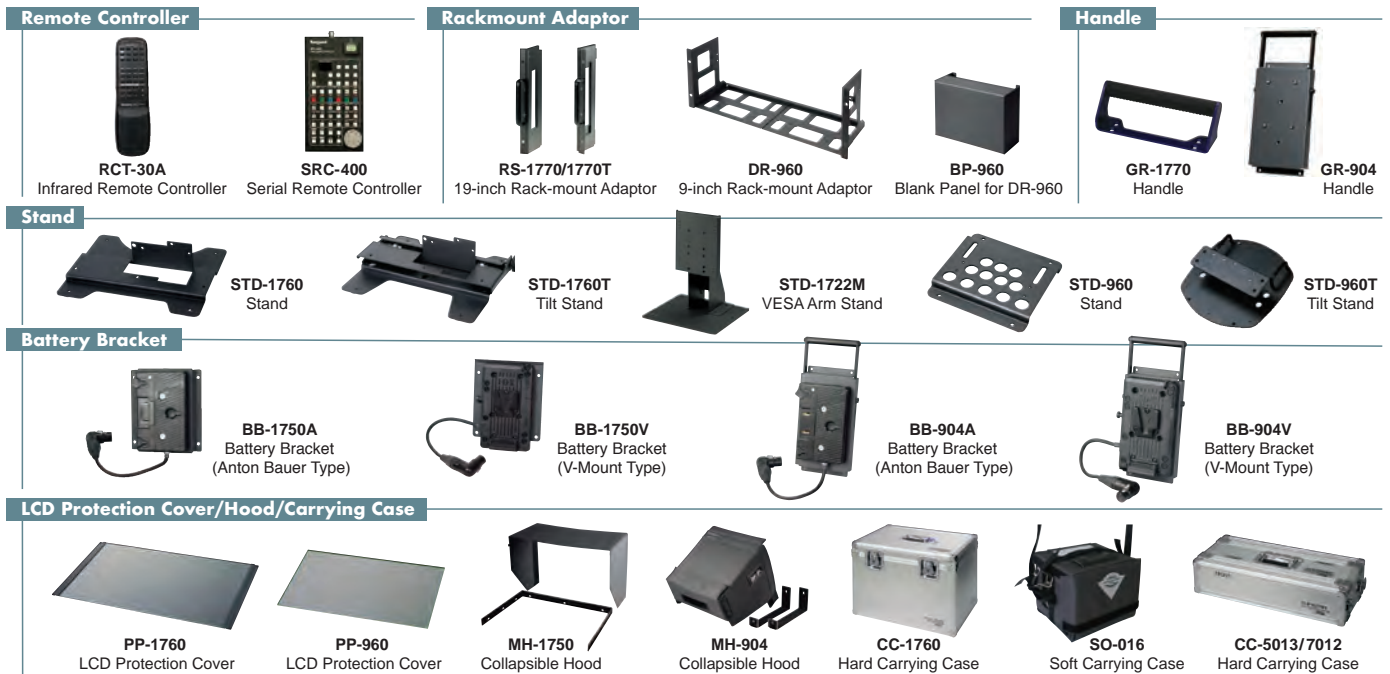


HLM-7012WR



Unit:mm

	Model	Description	HQLM-3125X	HQLM-3120W	HQLM-1720WR	HLM-2460W	HLM-1760WR	HLM-960WR	HLM-5013WR	HLM-7012WR	Remarks
Remote Controller	RCT-30A	Infrared Remote Controller	●	●	●	●	●	●			
	SRC-400	Serial Remote Controller	●	●	●	●	●	●			Controls up to 96 monitors with loop through connection
Rackmount Adaptor	RS-2450T	Rack Mount Adaptor				●					Fixed Tilt Angle Type (Made to order item)
	RS-1770	19-inch Rack Mount Adaptor					●				Fixed type, 7RU height
	RS-1770T	19-inch Rack Mount Adaptor with Tilt Mechanism					●				4-Step Angle, 7RU height
	DR-960	Dual Rack Mount Adaptor						●			4RU Height
	DR-960T	Dual Rack Mount Adaptor (Tilt type)						●			5RU Height (Made to order item)
	BP-960	Blank Panel						●			for DR-960
	BP-960T	Blank Panel (Tilt type)						●			for DR-960T (Made to order item)
Stand	STD-3125T	Stand with Tilt Mechanism	●								(Made to order item)
	STD-3120T	Stand with Tilt Mechanism		●							(Made to order item)
	STD-1720	Monitor Stand			●						
	STD-1720T	Stand with Tilt Mechanism			●						Tilt (Axis:Center of Monitor):Up 15 degree/Down 8 degree
	STD-1760	Monitor Stand					●				
	STD-1760T	Stand with Tilt Mechanism					●				Tilt (Axis:Center of Monitor):Up 15 degree/Down 15 degree
	STD-1722M	VESA Arm Stand					●				
	STD-960	Monitor Stand						●			
	STD-960T	Stand with Tilt Mechanism						●			Tilt (Axis:Center of Monitor):Up 10 degree/Down 10 degree
Tripod Mount Plate	AT-900	Tripod Mount Plate						●			1/4 & 3/8 inch hole plate
Handle	GR-1720	Handle		●							
	GR-1770	Handle				●	●				
	GR-904	Handle						●			
LCD Protection Cover	PP-1760	Screen Protection Cover					●				Anti-Reflection Coating
	PP-960	Screen Protection Cover						●			Anti-Reflection Coating
Battery Bracket	BB-1750A	Battery Bracket (Anton Bauer Type)					●				
	BB-1750V	Battery Bracket (V-Mount Type)					●				
	BB-904A	Battery Bracket (Anton Bauer Type)						●			
	BB-904V	Battery Bracket (V-Mount Type)						●			
Hood	MH-1750	Folding Hood					●				
	MH-904	Folding Hood						●			
Carrying Case	CC-3125	Hard Carrying Case	●								(Made to order item)
	CC-3120	Hard Carrying Case		●							(Made to order item)
	CC-2460	Hard Carrying Case				●					(Made to order item)
	CC-1760	Hard Carrying Case					●				(Made to order item)
	CC-960	Hard Carrying Case						●			
	SO-016	Soft Carrying Case						●			
	CC-5013	Hard Carrying Case							●		(Made to order item)
	CC-7012	Hard Carrying Case							●		(Made to order item)



Design and specifications are subject to change without notice.

HDMI is a registered trademark of HDMI Licensing, LLC.



U125M195-SI-F1.25 Printed in Japan

Ikegami Tsushinki Co.,Ltd.

■ URL : www.ikegami.co.jp/en/

■ Head Office : 5-6-16 Ikegami, Ohta-ku, Tokyo 146-8567, Japan TEL.+81-(0)3-5700-1111/FAX.+81-(0)3-5700-1137
 ■ Overseas Sales Division : 5-6-16 Ikegami, Ohta-ku, Tokyo 146-8567, Japan TEL.+81-(0)3-5700-4117/FAX.+81-(0)3-5748-2200
 ■ Beijing Office : Tower A Room No.823-824 Jia Tai International Mansion No.41 East Fourth Ring Road,Chaoyang District,Beijing , China ... TEL./FAX.+86-(0)10-85710350



Ikegami Electronics (U.S.A.), INC.

■ URL : www.ikegami.com

■ Headquarters : 300E State Route 17S, Mahwah, NJ 07430 USA TEL.+1-201-368-9171/FAX.+1-201-569-1626

Ikegami Electronics (Europe) GmbH

■ URL : www.ikegami.de

■ Headquarters : Ikegami Strasse 1, D-41460 Neuss, Germany TEL.+49-(0)2131-1230/FAX.+49-(0)2131-102820

Ikegami Electronics Asia Pacific Pte.Ltd.

■ URL : sg.ikegami.co.jp

■ Headquarters : 1 Tampines Central 5, #06-04 CPF Tampines Building, Singapore 529508 TEL.+65-6260-8820/FAX.+65-6260-8896