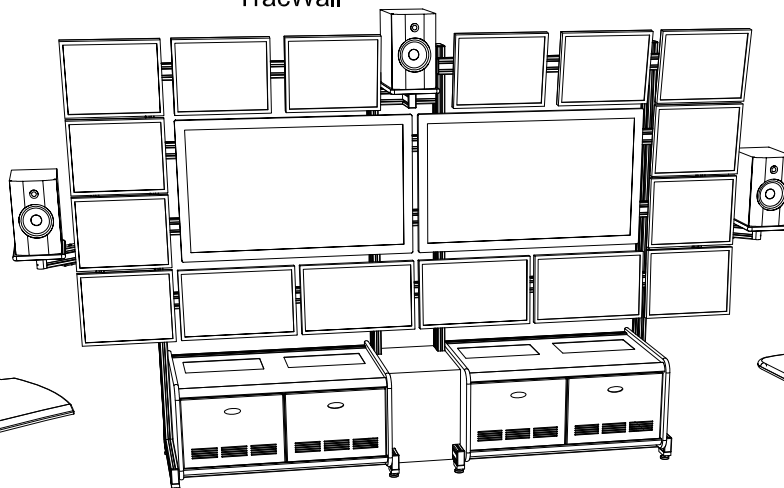
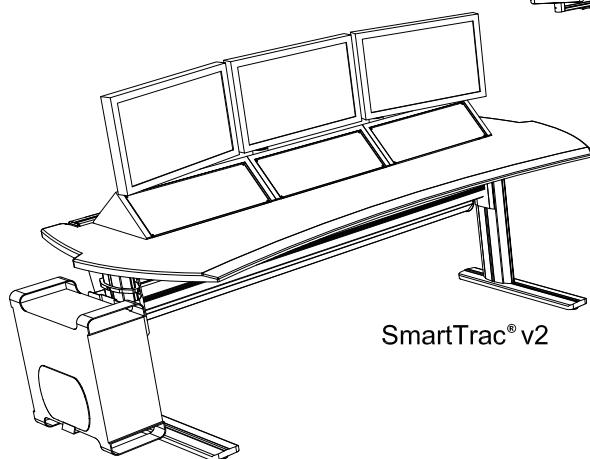


revised: January 2015

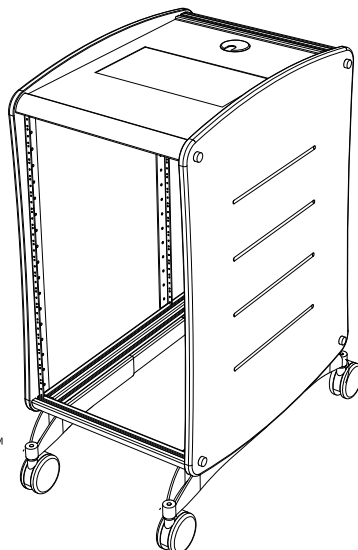
TracWall®



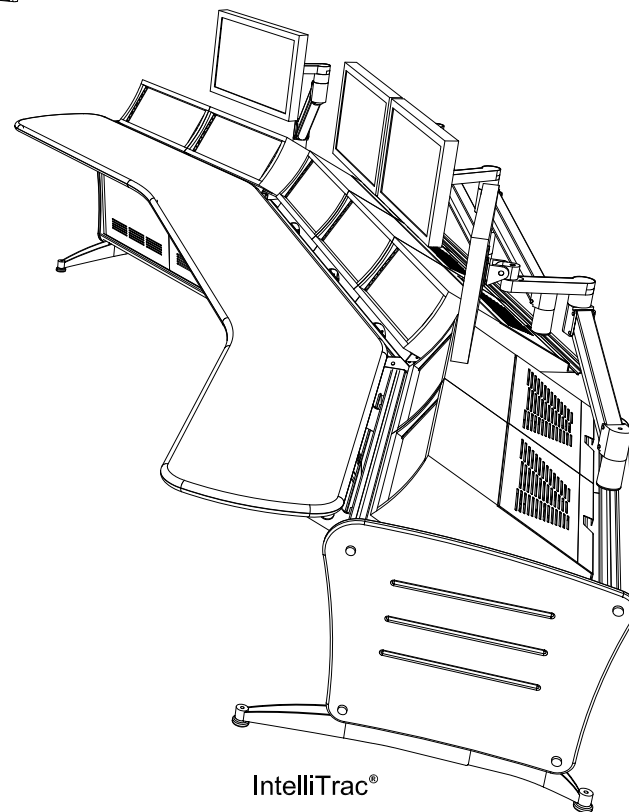
SmartTrac® v2



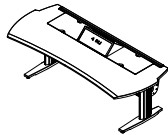
SmartCart™



IntelliTrac®

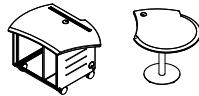


SmartTrac Product Line



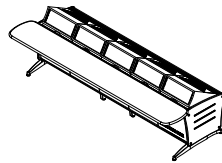
pages 3 - 9

SmartCart Equipment Carts



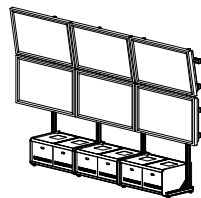
pages 10, 11

IntelliTrac Product Line



pages 12 - 18

TracWall Monitor Walls

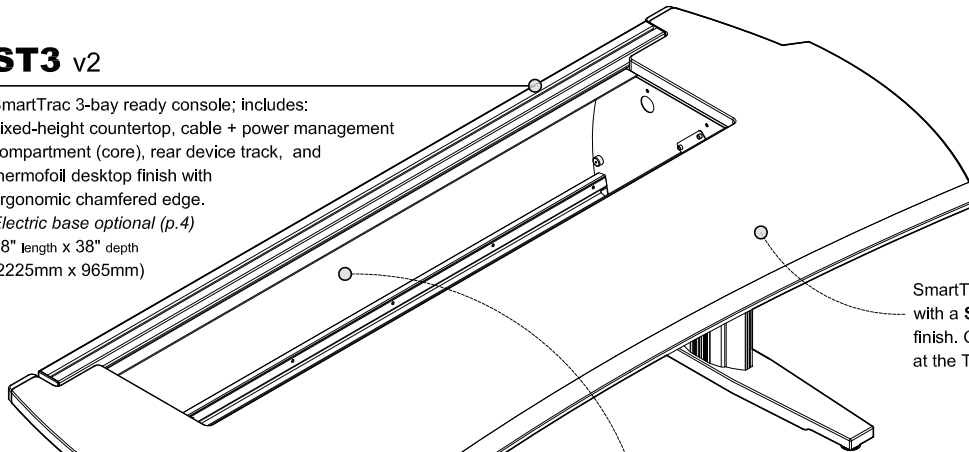


pages 19 - 21

Overview of Standard Consoles

ST3 v2

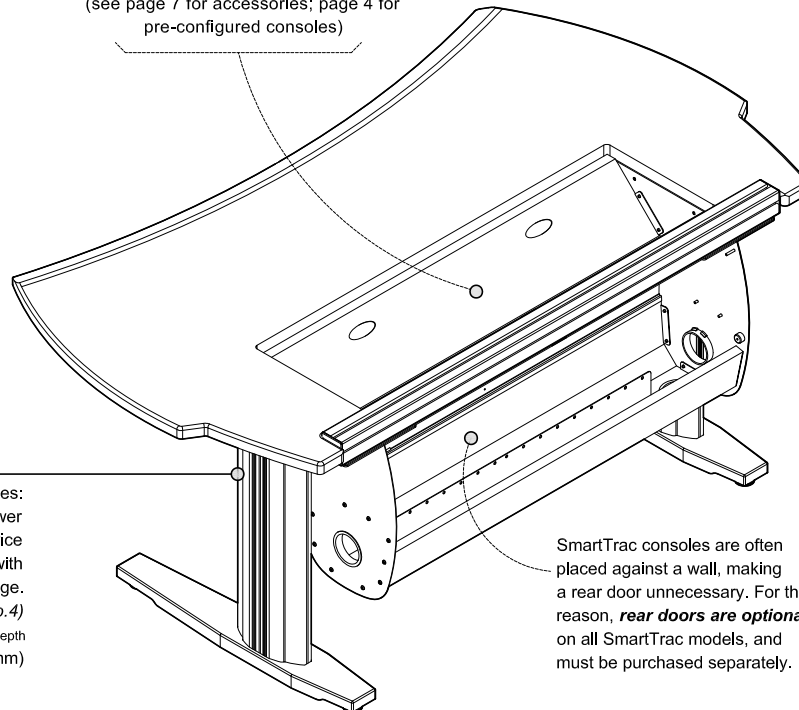
SmartTrac 3-bay ready console; includes:
Fixed-height countertop, cable + power management compartment (core), rear device track, and thermofoil desktop finish with ergonomic chamfered edge.
Electric base optional (p.4)
88" length x 38" depth
(2225mm x 965mm)



SmartTrac consoles come standard with a **Shark Grey 3DL** (thermofoil) finish. Optional finishes can be seen at the TBC website finishes page.

- Modular components -

Base model **ST2** and **ST3** consoles come with an open **'turret well'**, ready to accept modular components such as rack turrets and infills, which are purchased separately. (see page 7 for accessories; page 4 for pre-configured consoles)



ST2 v2

SmartTrac 2-bay ready console; includes:
Fixed-height countertop, cable + power management compartment, rear device track, and thermofoil desktop finish with ergonomic chamfered edge.
Electric base optional (p.4)
67" length x 38" depth
(1700mm x 965mm)

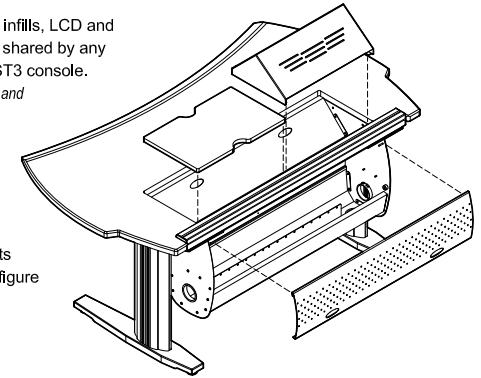
SmartTrac consoles are often placed against a wall, making a rear door unnecessary. For this reason, **rear doors are optional** on all SmartTrac models, and must be purchased separately.

Modularity:

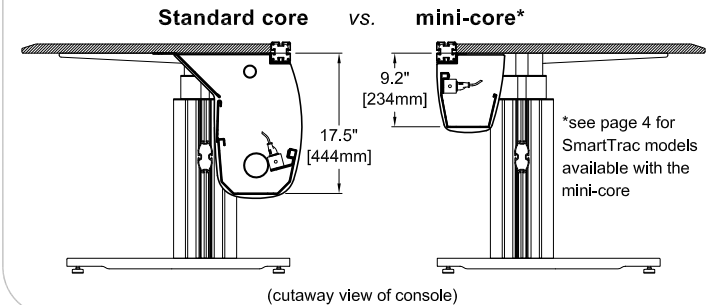
Rack turrets, desktop infills, LCD and speaker arms can be shared by any SmartTrac ST2 and ST3 console.
(exceptions: Workstations and Client Tables)

Tool-Free Adaptability:

Most SmartTrac accessory components simply lift off to reconfigure or add items later.



Capacity:

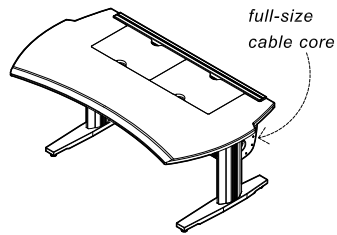


Which SmartTrac version meets my needs?

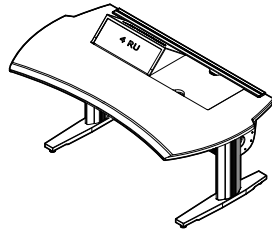
The decision making process in choosing a console often involves the following factors - space limitations, rack equipment needs, and budget. Here are some facts about the different SmartTrac types to help inform your decision:

- The **ST3** accepts modular turrets and infills, is approx. 88" x 38", has a maximum rack turret capacity of 12ru, and a rear device track.
- The **ST2** accepts modular turrets and infills, is approx. 67" x 38", has a maximum rack turret capacity of 8ru, and a rear device track.
- The **ST3-WS** and **ST2-WS** - SmartTrac Workstations - are for those clients not in need of rack equipment turrets. They have large uninterrupted desktops, full-size cable cores, and rear device tracks.
- The **ST3-WS-LT** and **ST2-WS-LT** - These are like the Workstations above, but with a smaller capacity "mini-core". (see illustration above)
- All SmartTrac models share the same leg style, with an electric base with digital preset controller as an option. Electric base weight capacity: **250lbs** (75kg) total of monitors, rack equip., and desktop items. Console components have already be factored in.

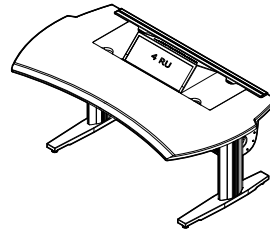
2-Bay Consoles: 2-bay ready turret well • full-size core



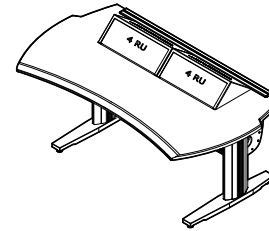
model:
ST2-NT (fixed ht)
ST2E-NT (electric)



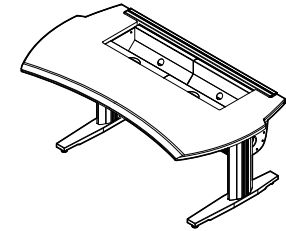
model:
ST2-1T (fixed ht)
ST2E-1T (electric)



model:
ST2-1TH (fixed ht)
ST2E-1TH (electric)

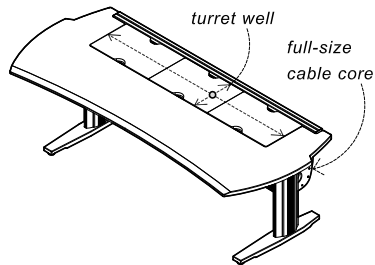


model:
ST2-2T (fixed ht)
ST2E-2T (electric)

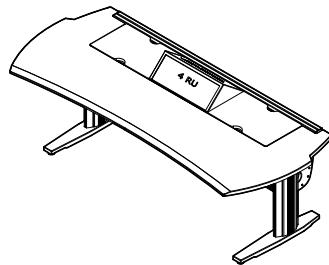


model:
ST2-DW (fixed ht)
ST2E-DW (electric)

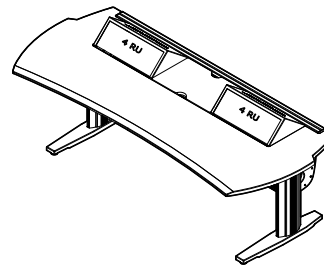
3-Bay Consoles: 3-bay ready turret well • full-size core



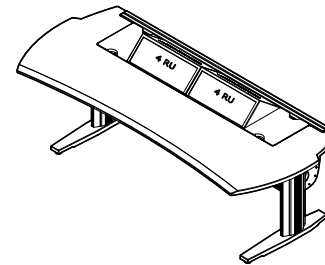
model:
ST3-NT (fixed ht)
ST3E-NT (electric)



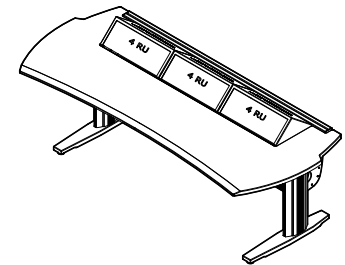
model:
ST3-1T (fixed ht)
ST3E-1T (electric)



model:
ST3-2T (fixed ht)
ST3E-2T (electric)

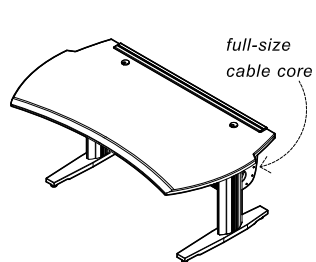


model:
ST3-2TH (fixed ht)
ST3E-2TH (electric)

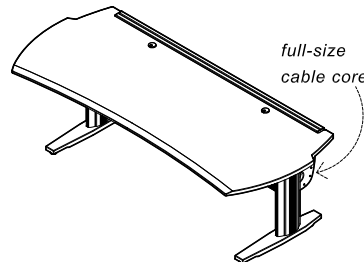


model:
ST3-3T (fixed ht)
ST3E-3T (electric)

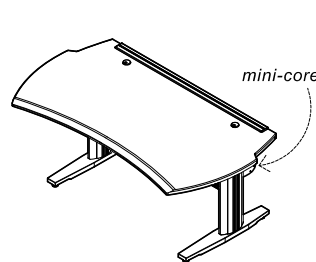
Workstations: continuous desktop • no turret well • full-size core



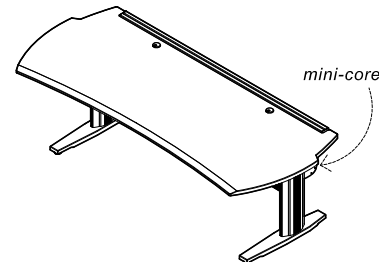
model:
ST2-WS (fixed ht)
ST2E-WS (electric)



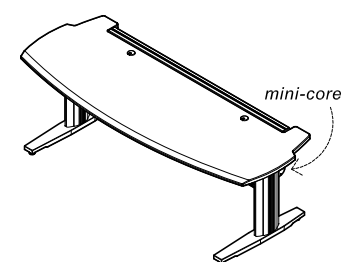
model:
ST3-WS (fixed ht)
ST3E-WS (electric)



model:
ST2-WS-LT (fixed ht)
ST2E-WS-LT (electric)



model:
ST3-WS-LT (fixed ht)
ST3E-WS-LT (electric)

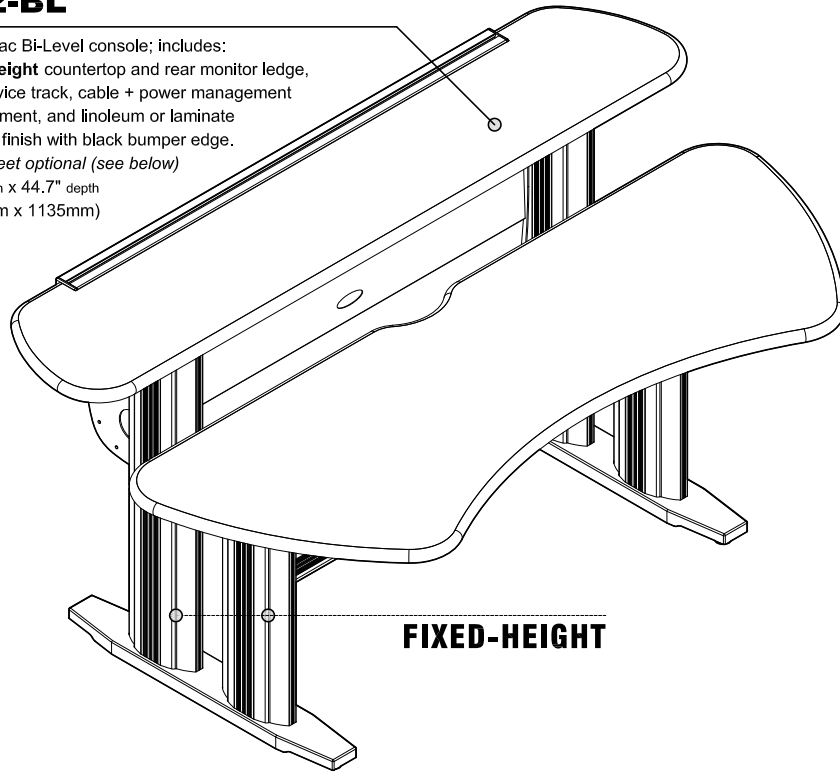


model:
ST-CT-LT (fixed ht)
STE-CT-LT (electric)

Overview of Bi-Level Consoles

ST2-BL

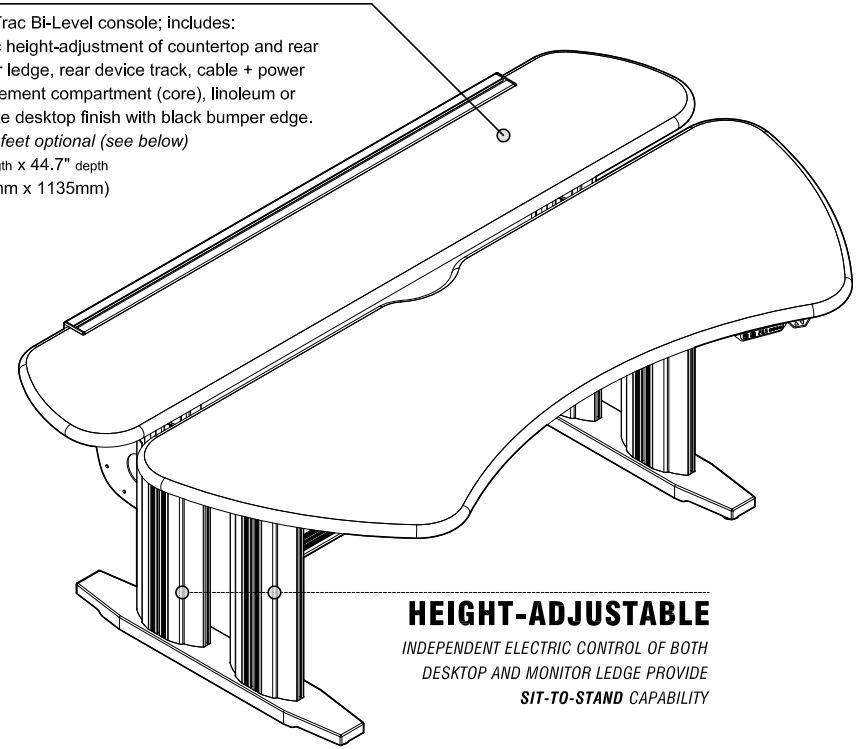
SmartTrac Bi-Level console; includes:
Fixed-height countertop and rear monitor ledge,
 rear device track, cable + power management
 compartment, and linoleum or laminate
 desktop finish with black bumper edge.
Caster feet optional (see below)
 72" length x 44.7" depth
 (1829mm x 1135mm)



FIXED-HEIGHT

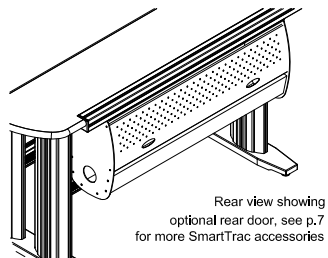
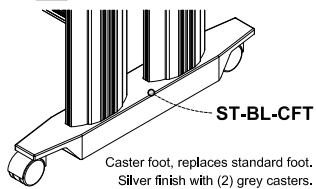
ST2E-BL

SmartTrac Bi-Level console; includes:
 Electric height-adjustment of countertop and rear
 monitor ledge, rear device track, cable + power
 management compartment (core), linoleum or
 laminate desktop finish with black bumper edge.
Caster feet optional (see below)
 72" length x 44.7" depth
 (1829mm x 1135mm)

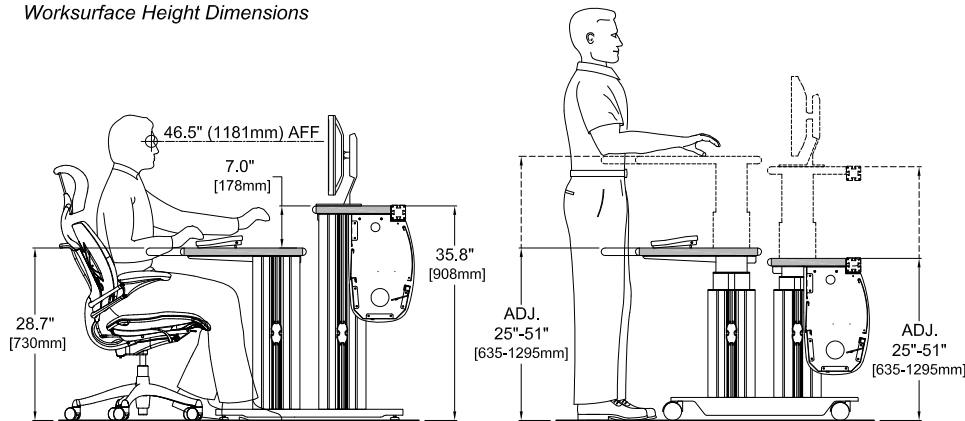


HEIGHT-ADJUSTABLE

INDEPENDENT ELECTRIC CONTROL OF BOTH
 DESKTOP AND MONITOR LEDGE PROVIDE
 SIT-TO-STAND CAPABILITY



Worksurface Height Dimensions

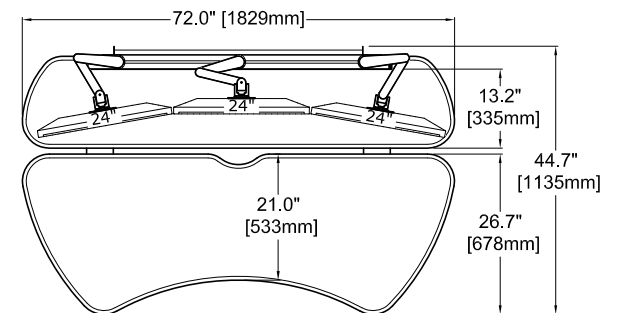


Fixed Height Version

Height-Adjustable "Sit-Stand" Version

optional equipment shown

Footprint Dimensions



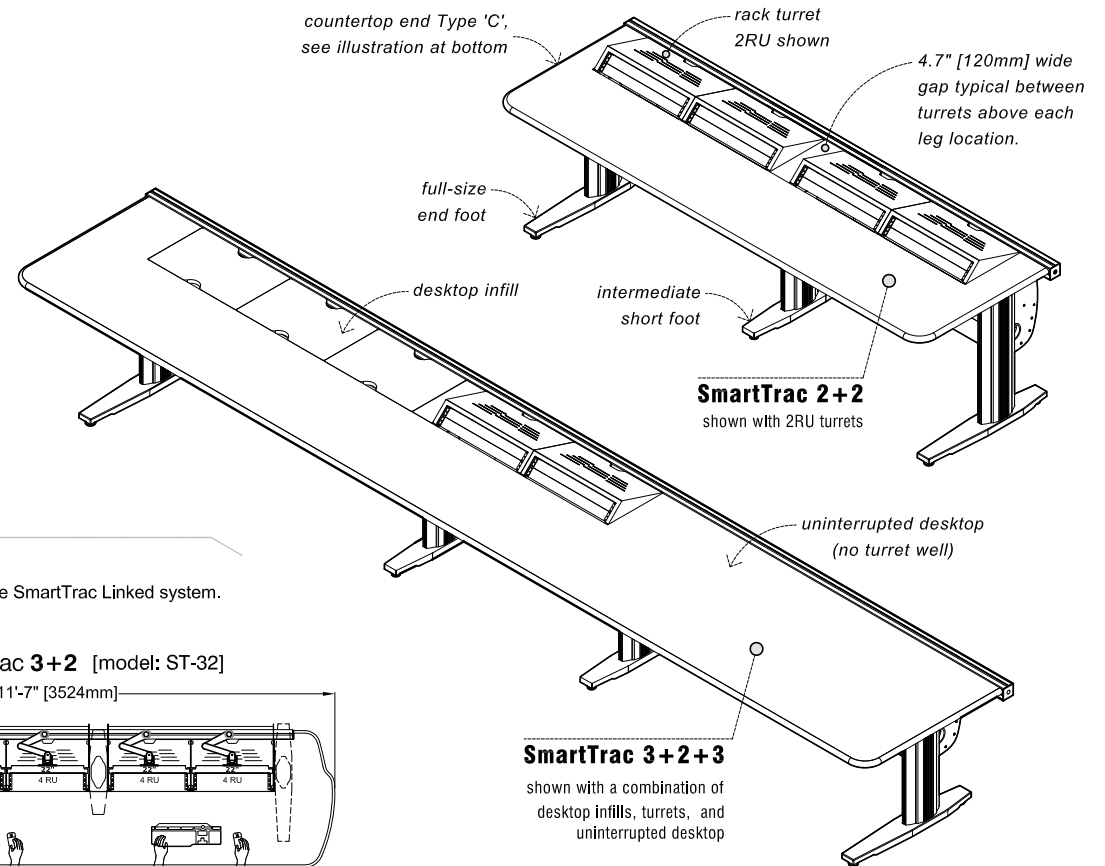
As shown in this top view, the rear monitor ledge will fit (3) 24" monitors, or (2) 24" monitors and a pair of small speakers.

note: product may differ in appearance from items shown below.
please call for pricing.

Overview of Linked Consoles

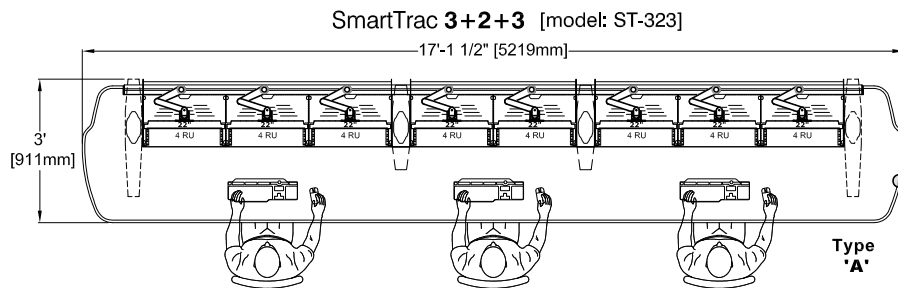
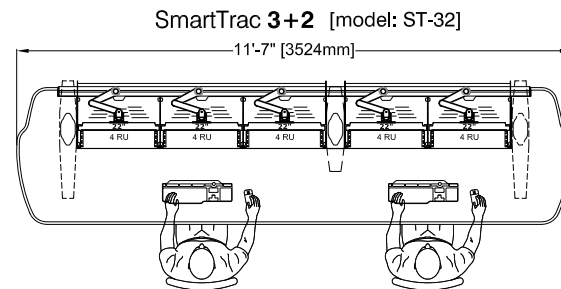
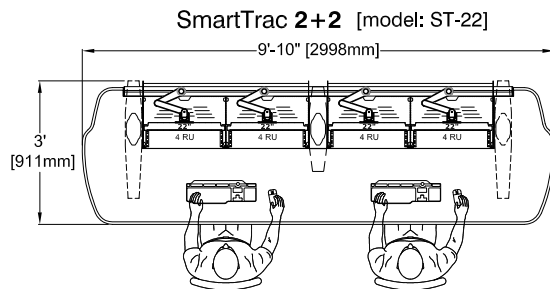
SmartTrac Consoles can be "Linked" together to create multi-operator workstations.

- Available with an open "turret well" that accepts optional modular components such as rack turrets and desktop infills, or with continuous uninterrupted desktops - in the style of SmartTrac Workstations. A combination of the two styles can also be done.
- Just like standard SmartTracs, our linked consoles feature a cable + power management compartment (core) and a continuous rear device track.
- Linked consoles will accept most SmartTrac accessories (p.7), such as monitor and speaker mounts, turrets and infills, and rear doors. CPU holders can mount to the outside of end legs only, and the electric leg upgrade is limited to certain models, please call to discuss.
- Due to the nature of multi-operator workstations, a fixed-height base is necessary for most configurations, although some smaller linked consoles can be made with Electric Height-Adjustment.
- Typically, linked consoles will utilize standard SmartTrac legs with full-size feet at the ends, with shorter feet on intermediate legs for operator comfort, exceptions may apply on certain configurations as required.
- The typical countertop finishes are Laminate or Linoleum with Black Bumper Edge. Color suggestions can be found on the TBC website finishes page. Other finishes are available, please call to discuss.

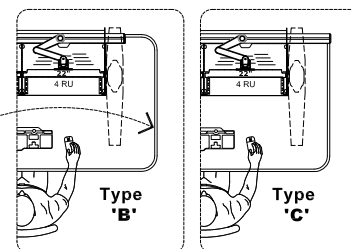


Typical examples of Linked Configurations:

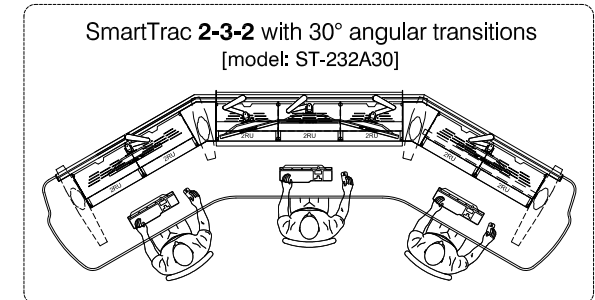
The configurations shown here are just a small sampling of possible layouts that can be created with the SmartTrac Linked system. Please call to discuss your specific needs.



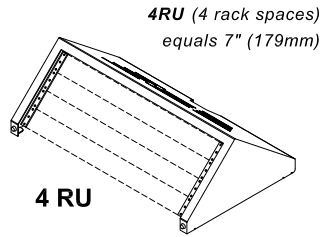
Different countertop end treatments are available, to accommodate aesthetic or space requirements.



Angular configurations also available, call for details.



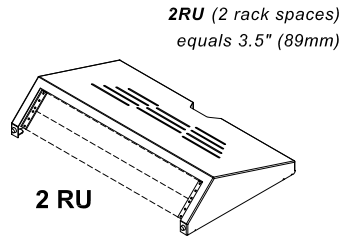
Accessories



4 RU

ST-RT4

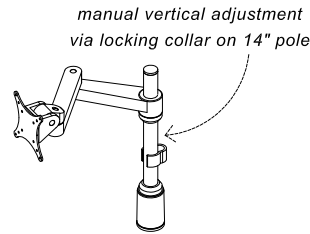
4RU rack turret made from lightweight aluminum with silver powdercoat finish, vented top. 10-32 rack rail std. 5.7" (144mm) height above c-top.



2 RU

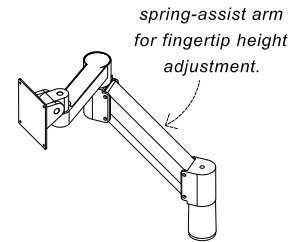
ST-RT2

2RU rack turret made from lightweight aluminum with silver powdercoat finish, vented top. 10-32 rack rail std. 3.2" (81mm) height above c-top.



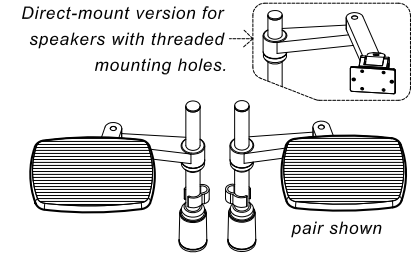
FP-9222

LCD arm, trac mounted. VESA adapter plates included. Color: silver w/black trim



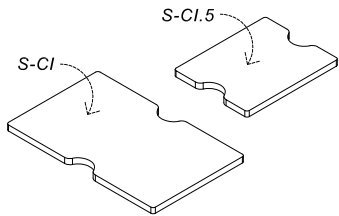
FP-3500

LCD arm, trac mounted, "floating" with fingertip height adjustment. VESA adapter plates included. Color: silver w/black trim



SM-C

Speaker mount, adjustable-height. Available with an 8"x10" ribbed rubber shelf, or direct mount adapter for speakers with threaded mounting holes. (18 lbs max. weight.)

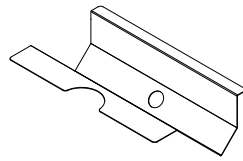


ST-CI

Counter infill, 1-bay width (20.75")

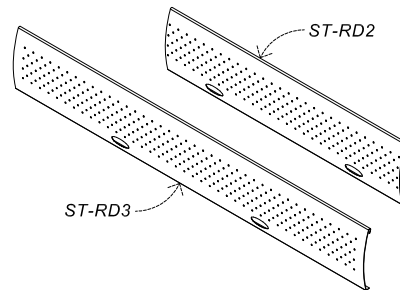
ST-CI.5

Counter infill, 1/2-bay width (10.375")
Stock finish: Shark Grey 3DL



ST-DW

Dropped well cover to allow LCDs to drop below desktop, replaces infill. Silver powdercoat finish.

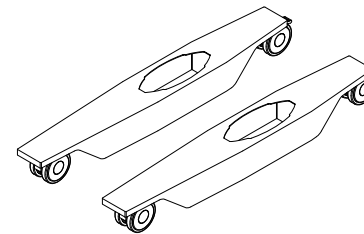


ST-RD3

Rear door, vented, hinged and removable, fits **ST3**.

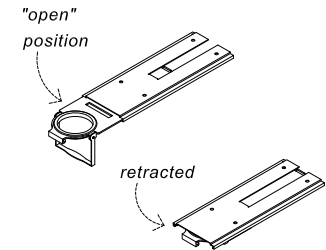
ST-RD2

Same as above, fits **ST2**.



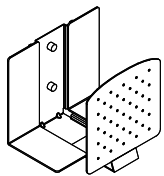
ST-CFT

Caster foot, replaces standard foot. Silver finish with grey casters. *Pair of feet shown. Typically sold in pairs, singles may be spec'd on linked consoles.*



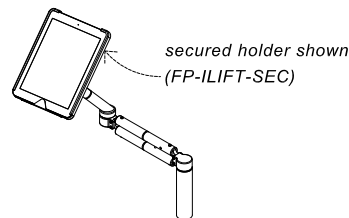
AC-CUP1

Retractable cup holder, for cups up to 3" dia, folds and retracts in one motion. Silver powdercoat finish. *Works on all TBC trac-series consoles.*



ST-CPU

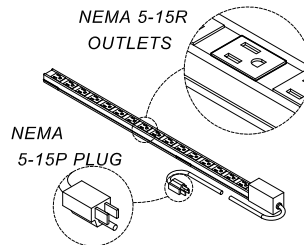
Leg mounted CPU holder, fits Mac G5. Silver powdercoat finish. Mounts to track in leg.



FP-ILIFT

FP-ILIFT-SEC

Articulating tablet arm, fits iPad 2, 3, 4, Mini, and Air. *Quick-release or secure holders.*



PS-1615-ET

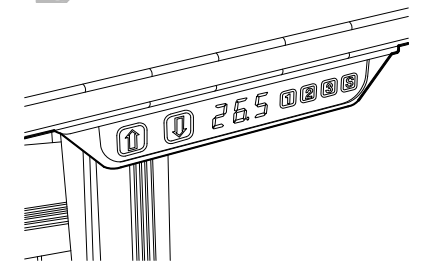
Power strip, 16 outlets, 15amp, mounted within i-core, matte black finish. For all **ST2** & **ST3** consoles.



TL-LITHAL-WB

TL-LITLED-WB

18" gooseneck task light with round weighted base. (Halogen or LED)



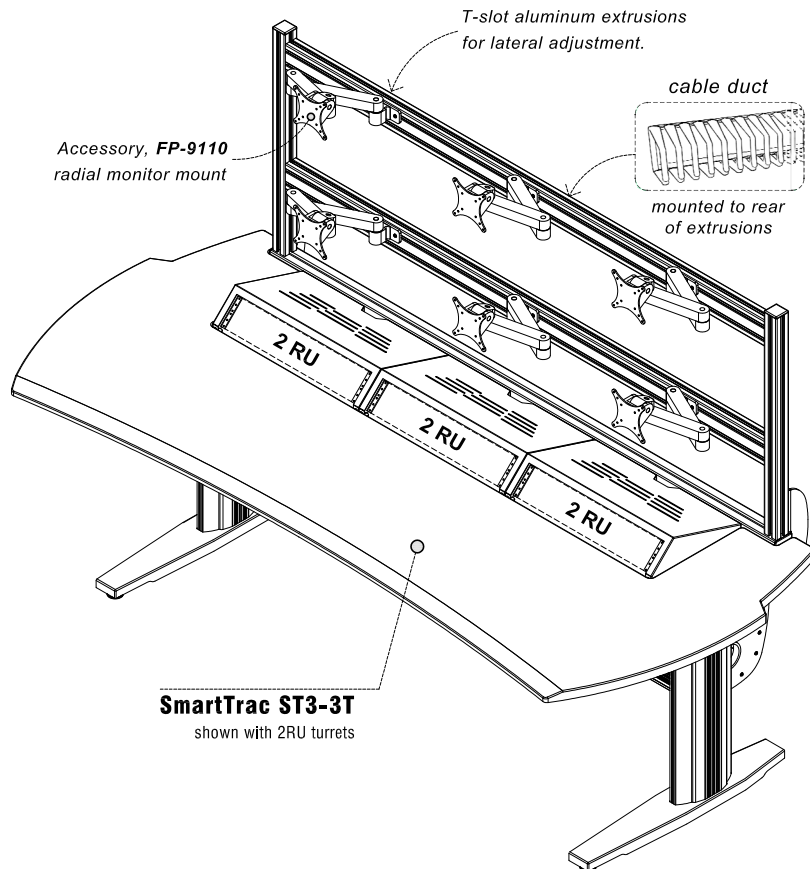
ST-EB

Electric base upgrade for all single base SmartTrac consoles (except Bi-Level). *control panel shown*

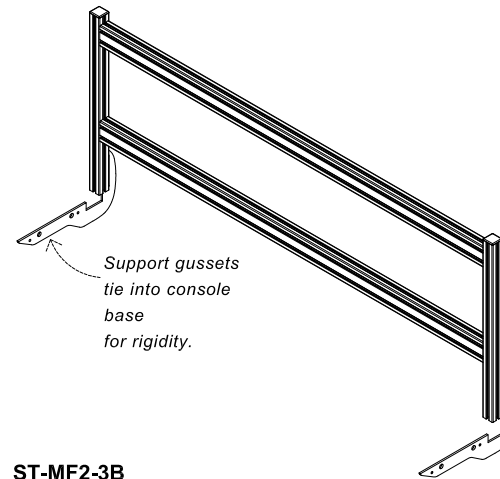
Accessories (continued)

Monitor Frame System:

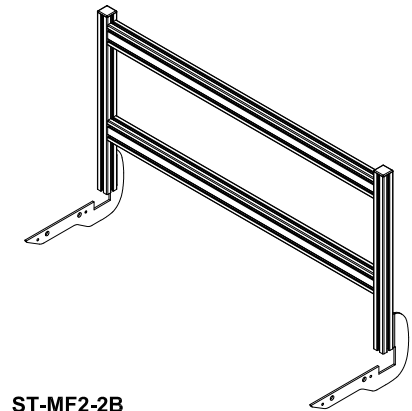
- A framework that mounts to the rear device track of SmartTrac Consoles, Workstations, and Linked versions to allow multi-monitor arrangements.
- Rigid structure designed to eliminate monitor shake in multiple display configurations.
- Design allows precise and repeatable placement of monitors, plus lateral adjustment.
- Cable duct included to route wires neatly along framework into the core.
- T-slot extrusion framework provides multiple mounting locations for accessories such as speaker mounts and power strips.



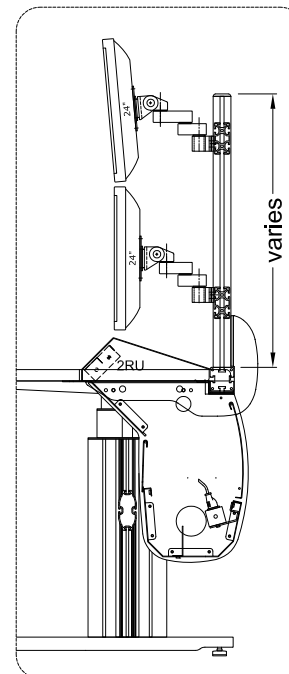
ST-MF2-3B Monitor Frame shown with (6) FP-9110 monitor mounts on a ST3 Console



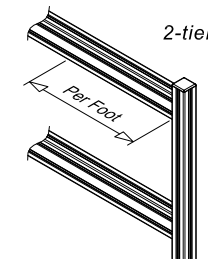
ST-MF2-3B
2 Tier monitor frame, 3-bay width (for ST3)
Includes cable management duct



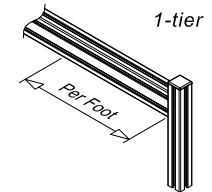
ST-MF2-2B
2 Tier monitor frame, 2-bay width (for ST2)
Includes cable management duct



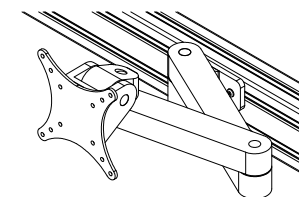
Cross-Section of Monitor Frame
on SmartTrac with 2ru turret



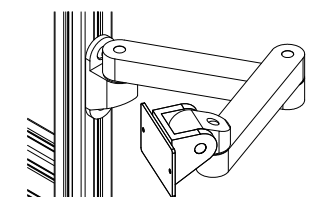
ST-MF2
2 Tier monitor frame, per lineal foot for linked and custom consoles. Includes vertical frame w/gusset and cable duct.



ST-MF1
1 Tier monitor frame, per lineal foot for linked and custom consoles. Includes vertical frame w/gusset and cable duct.



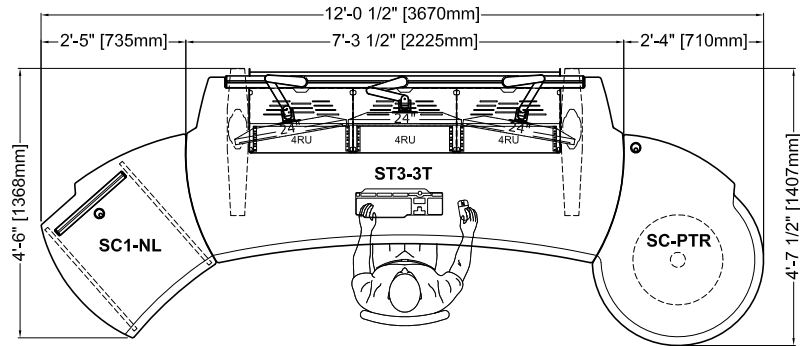
FP-9110
Wall-mount monitor arm. VESA adapter plates included. 25 lb max.
Color: silver w/black trim.



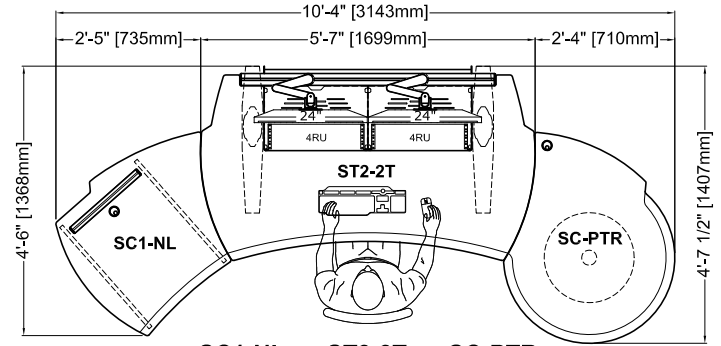
SM-WL
Speaker mount, up to 10 lbs
SM-WH
Speaker mount, up to 25 lbs
Color: silver w/black trim.

SmartTrac **ST3 Suites** *common configurations, see p.11 for SmartCarts.*

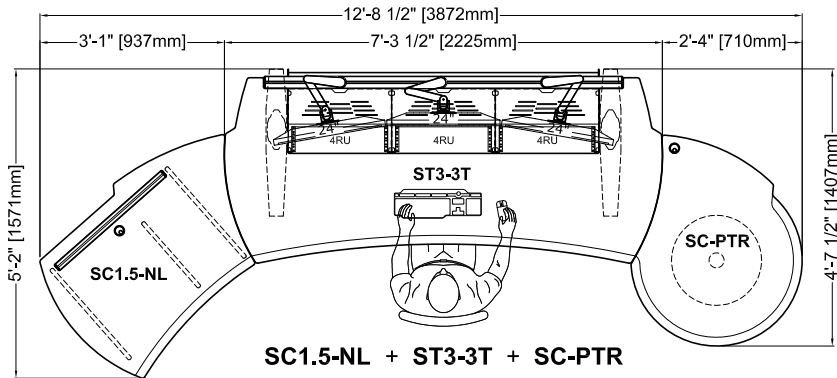
SmartTrac **ST2 Suites** *common configurations, see p.11 for SmartCarts.*



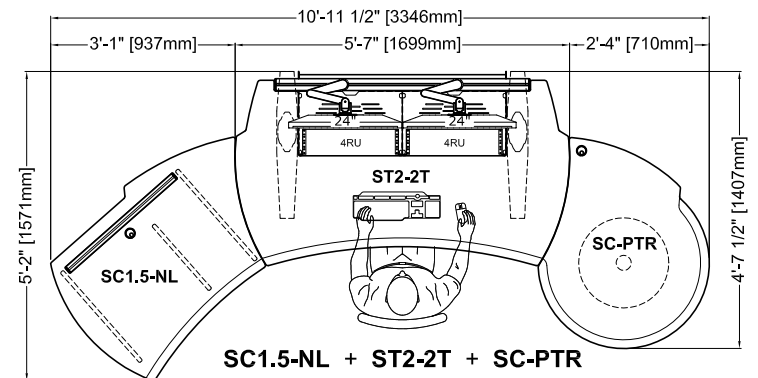
SC1-NL + ST3-3T + SC-PTR



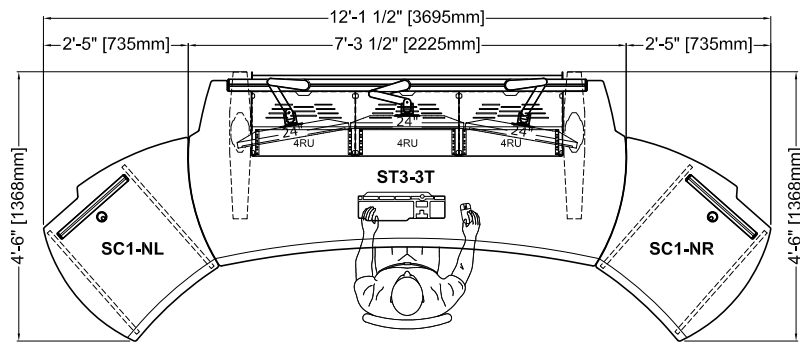
SC1-NL + ST2-2T + SC-PTR



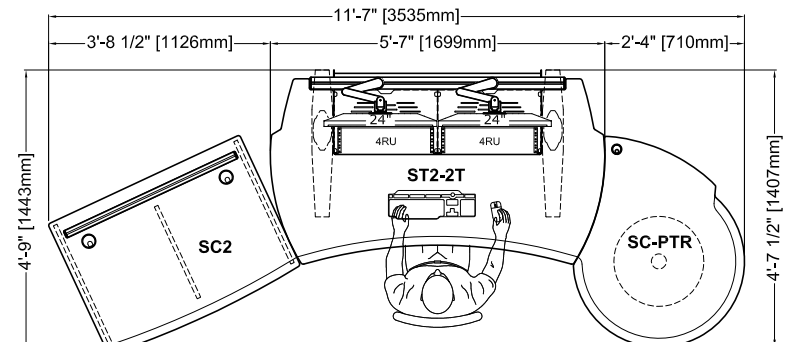
SC1.5-NL + ST3-3T + SC-PTR



SC1.5-NL + ST2-2T + SC-PTR



SC1-NL + ST3-3T + SC1-NR

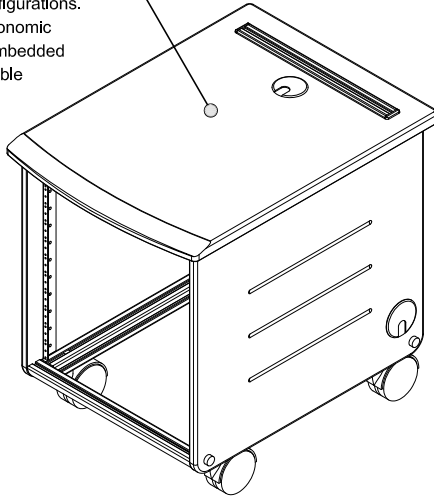


SC2 + ST2-2T + SC-PTR

Overview of Equipment Carts

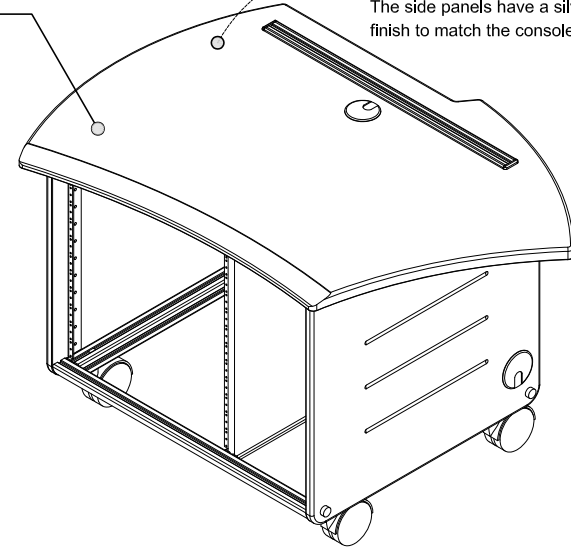
Standard Series

12ru mobile equipment rack. Available in 1-bay, 1.5-bay, and 2-bay configurations. Standard features include ergonomic thermofoil worksurface with embedded device track, vented + removable rear door, heavy duty casters, and front and rear rack rail. (see page 11)



'N' Series Nested

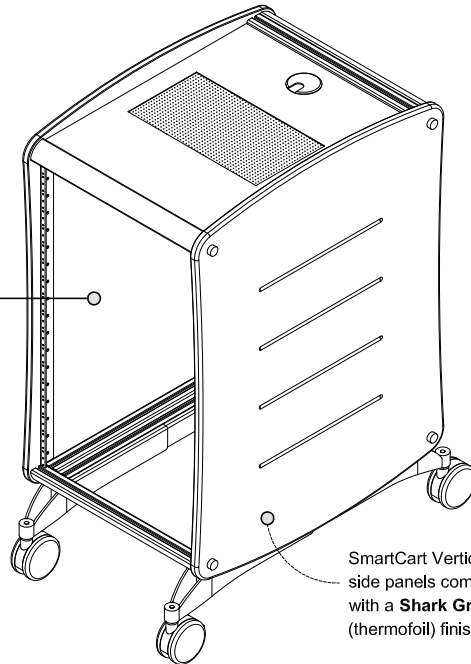
12ru mobile equipment rack. Available in 1-bay, and 1.5-bay configurations. Also available in a Producer's side table. The worksurface contour "nests" with the desktop profile of SmartTrac consoles. Standard features include ergonomic thermofoil worksurface with embedded device track, heavy duty casters, and front and rear rack rail. (see page 11)



SmartCart Standard and Nested series cart tops come standard with a **Shark Grey 3DL** (thermofoil) finish. The side panels have a silver 3DL finish to match the console leg.

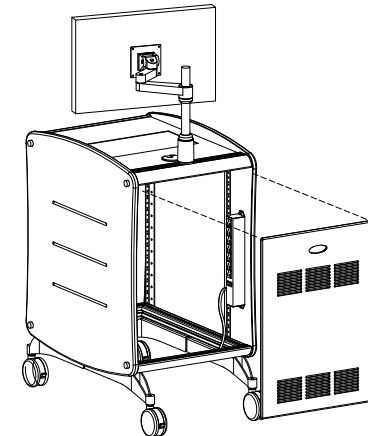
'V' Series Vertical

1-Bay mobile equipment rack available in 15, 18, and 24ru configurations. Benefits of vertical configuration include; efficient use of floor space with compact footprint, and allows for equipment at seated eye level in taller versions. Standard features include Thermofoil side panels, vented + removable rear panel, rear device track, heavy duty casters, and front and rear rack rail. (see page 11)



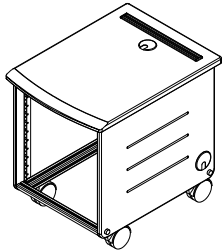
SmartCart Vertical Series side panels come standard with a **Shark Grey 3DL** (thermofoil) finish.

Rear view of **SC-V15** showing std. rear access panel, and optional monitor mount and power strip.

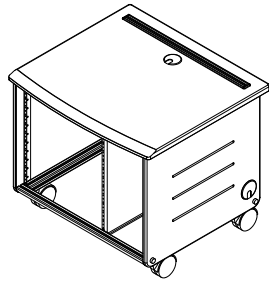


optional power strip shown

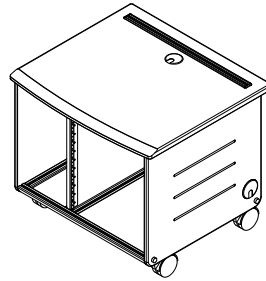
Standard Series Carts



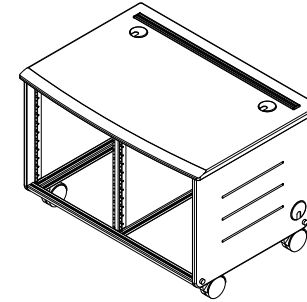
SC1
1-bay x 12ru mobile equipment rack



SC1.5-L
1.5-bay x 12ru mobile equipment rack with CPU cubby. (Rack left, CPU right)

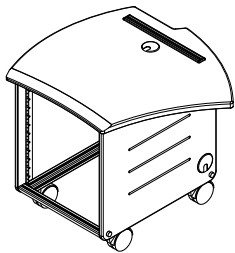


SC1.5-R
1-bay x 12ru mobile equipment rack with CPU cubby. (Rack right, CPU left)

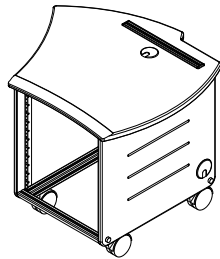


SC2
2-bay x 12ru mobile equipment rack (24ru total)

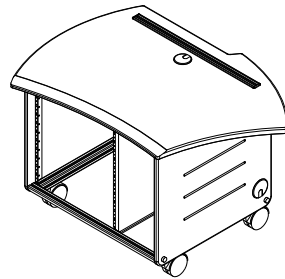
'N' Series Nested Carts



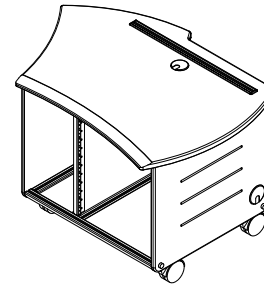
SC1-NL
1-bay x 12ru mobile equipment rack
Nests on left side of console



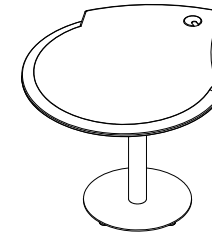
SC1-NR
1-bay x 12ru mobile equipment rack
Nests on right side of console



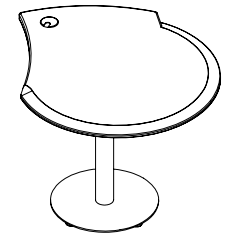
SC1.5-NL
1.5-bay x 12ru mobile equipment rack
Nests on left side of console. (CPU right)



SC1.5-NR
1.5-bay x 12ru mobile equipment rack
Nests on right side of console. (CPU left)

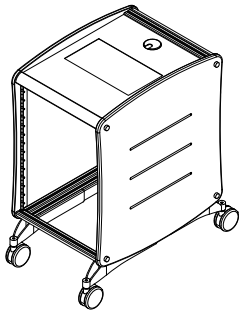


SC-PTL
Producer's table
Nests on left side of console

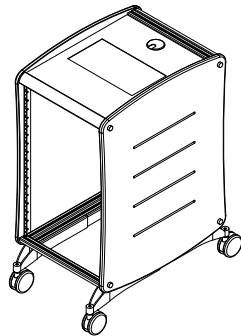


SC-PTR
Producer's table
Nests on right side of console

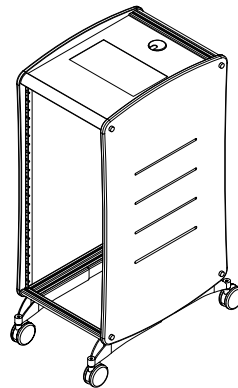
'V' Series Vertical Carts



SC-V15
15ru mobile equipment rack

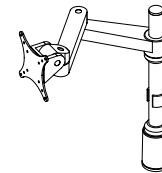


SC-V18
18ru mobile equipment rack

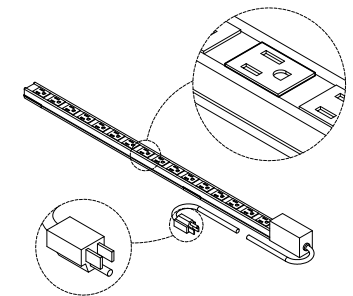


SC-V24
24ru mobile equipment rack

SmartCart Accessories



FP-9222
LCD arm, trac mounted. VESA adapter plates included.
Color: silver w/black trim



PS-0715-ET
Power strip, 7 outlets, 15amp.
Mounts to interior of side panel.

Overview

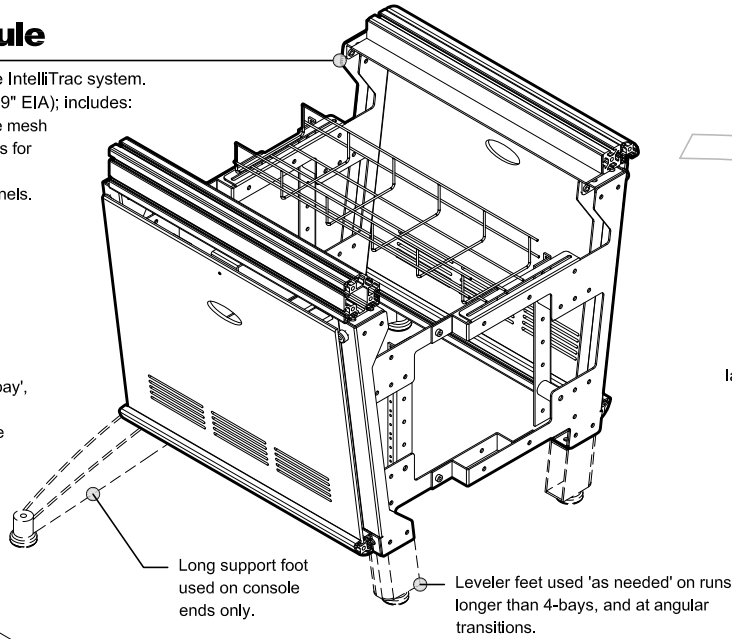
Base Frame Module

This is the basic 'building block' of the IntelliTrac system. IntelliTrac 1-bay rack width module (19" EIA); includes: Front and rear adjustable rack rail, wire mesh cable tray, Front and rear device tracks for LCD and accessory mounting, vented and removable ABS bottom access panels.

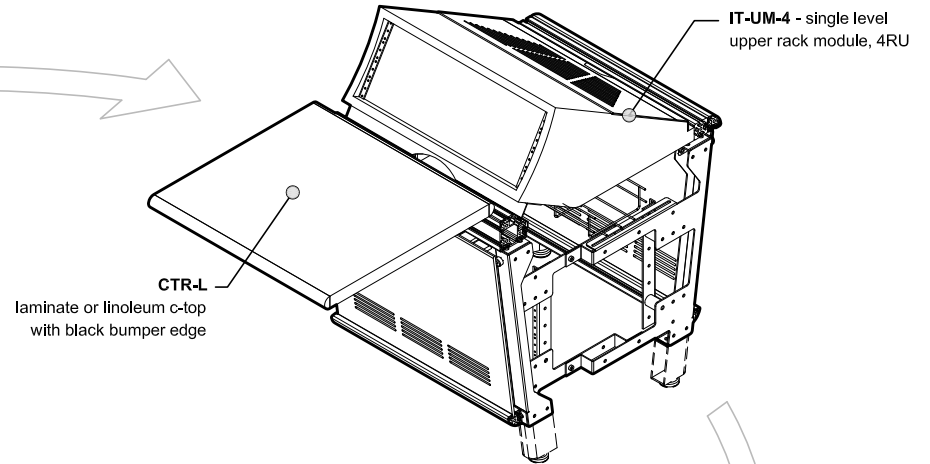
3 depths available:
T30 - (30"d. [762mm d.])
T26 - (26"d. [660mm d.])
T22 - (22"d. [559mm d.])

Note:

IntelliTrac is priced and designed 'per bay', but is manufactured according to final length (ex. 4-bay console). This is done to ensure smooth function and appearance of extruded aluminum device tracks.

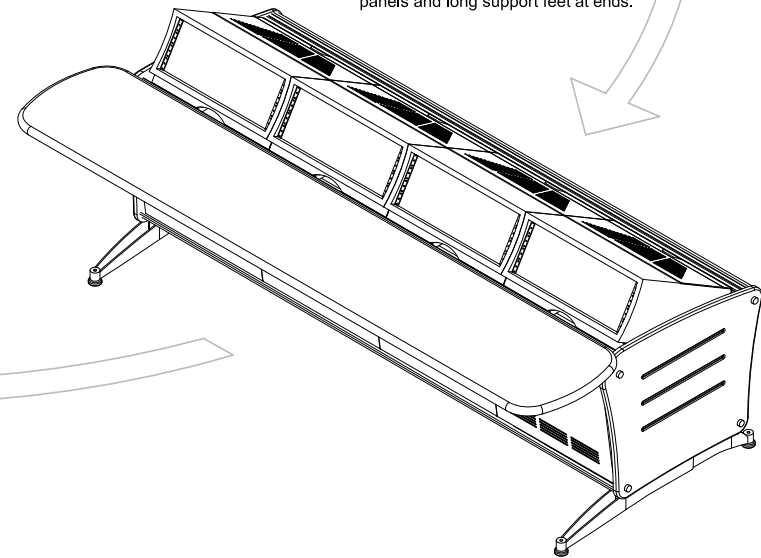


'Typical' 1-Bay module shown with laminate countertop and 4RU rack turret.



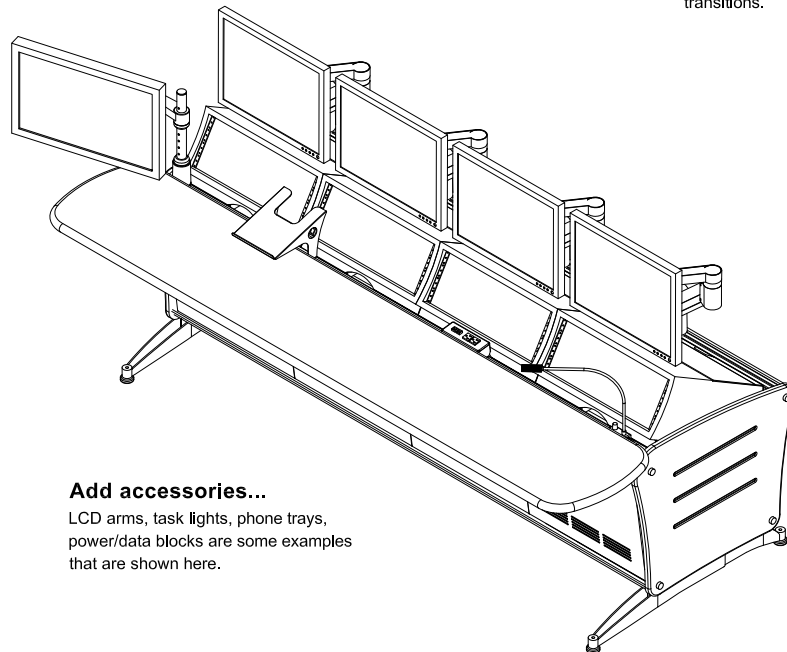
Configure console...

'Typical' 4-Bay configuration with end panels and long support feet at ends.

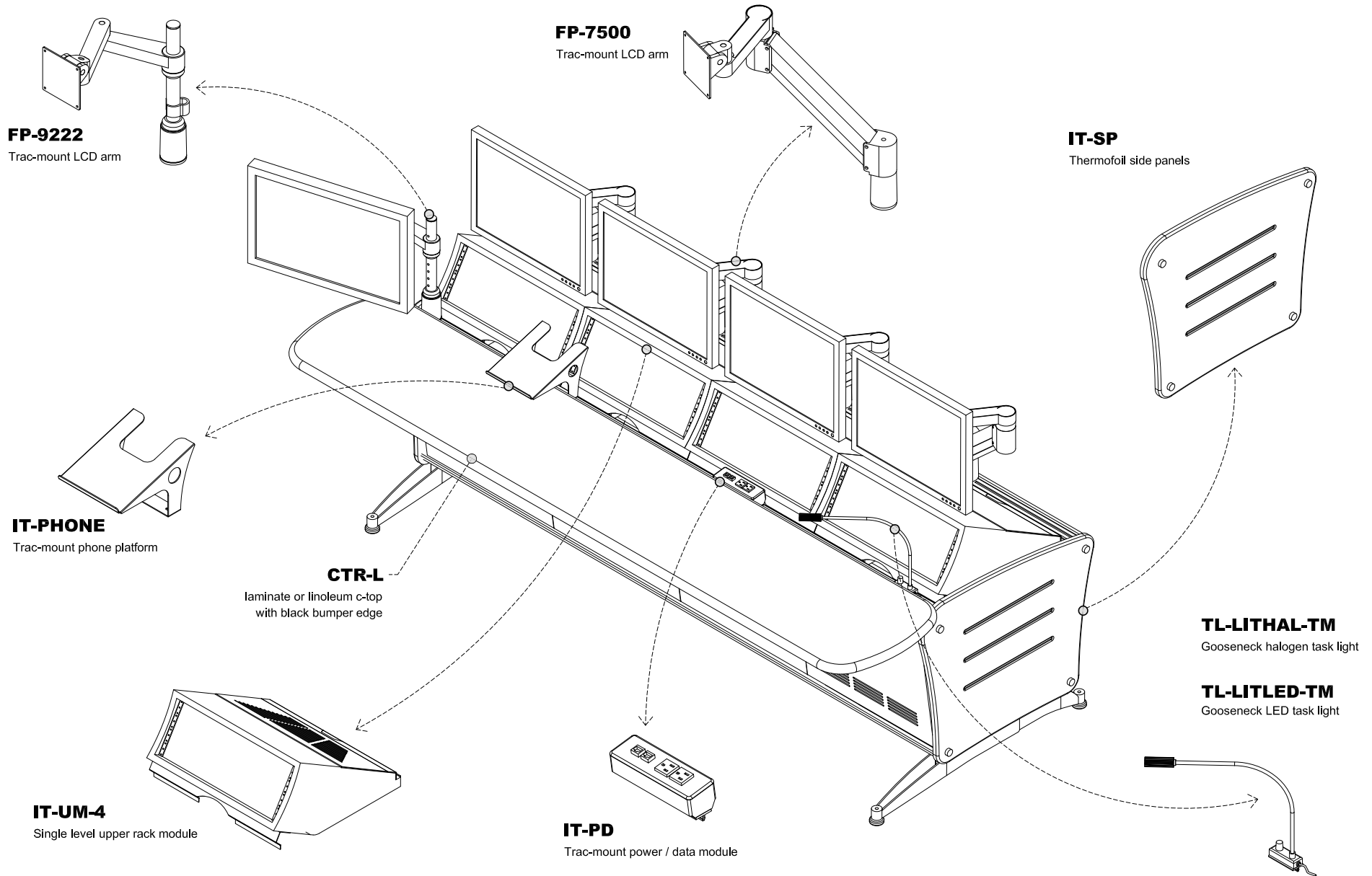


Add accessories...

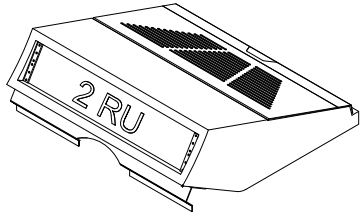
LCD arms, task lights, phone trays, power/data blocks are some examples that are shown here.



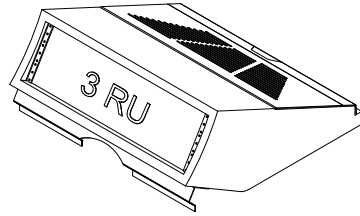
Console + Accessories



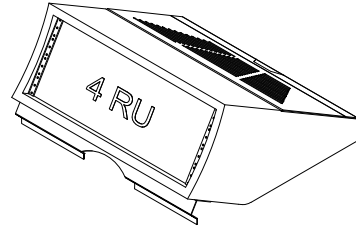
Rack Equipment Modules (turrets)



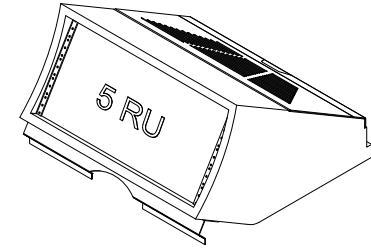
IT-UM-2
Single level upper rack module; 2ru



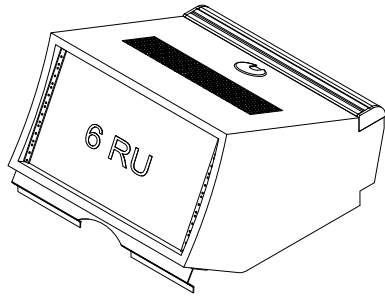
IT-UM-3
Single level upper rack module; 3ru



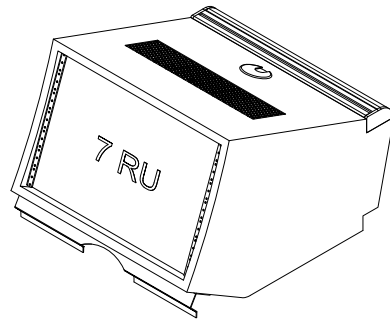
IT-UM-4
Single level upper rack module; 4ru



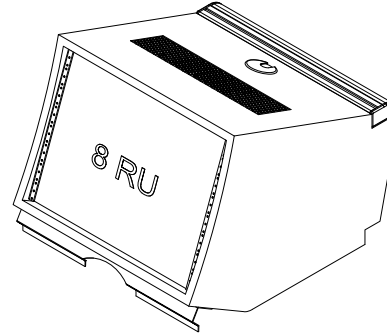
IT-UM-5
Single level upper rack module; 5ru



IT-UM-6
Single level upper rack module; 6ru



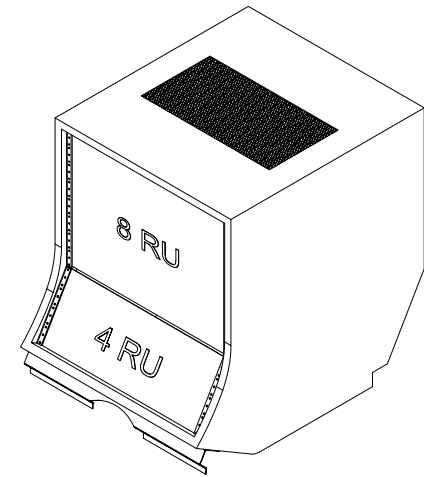
IT-UM-7
Single level upper rack module; 7ru



IT-UM-8
Single level upper rack module; 8ru

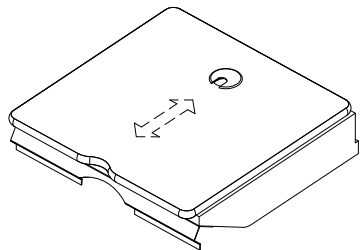
Bi-Level Turrets

Bi-level turrets provide expanded rack unit capacity without compromising ergonomic sightlines. TBC has designed many combinations of rack-space layouts in Bi-level form, and we will work with you to accommodate your specific requirements.

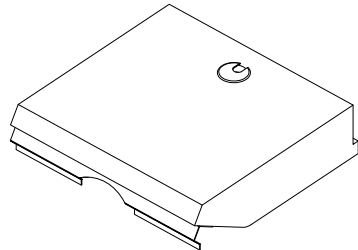


IT-UM-BI
Bi-level upper rack module

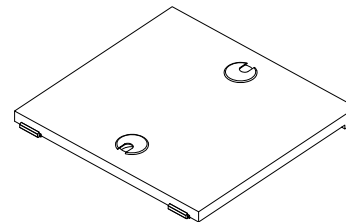
Upper Shelf Modules



IT-UM-SS
Upper sliding shelf module with grommet

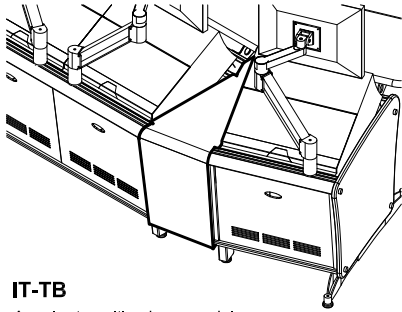


IT-UM-S
Upper shelf module with grommet

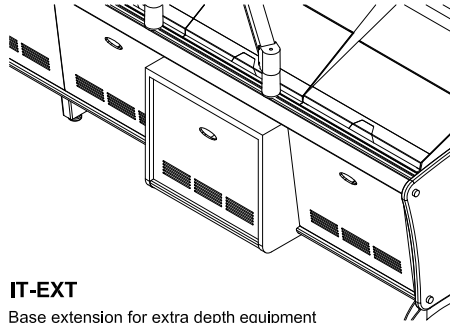


IT-LS
Lower shelf unit with grommets

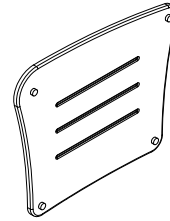
Accessories



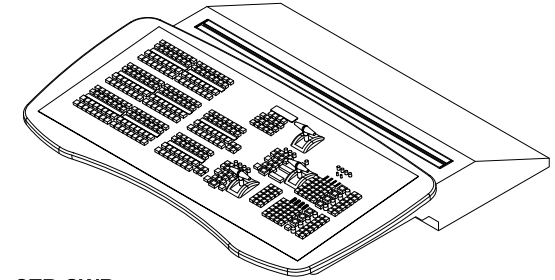
IT-TB
Angular transition base module



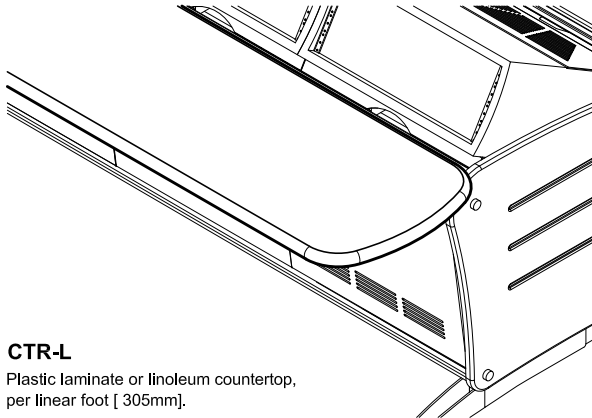
IT-EXT
Base extension for extra depth equipment



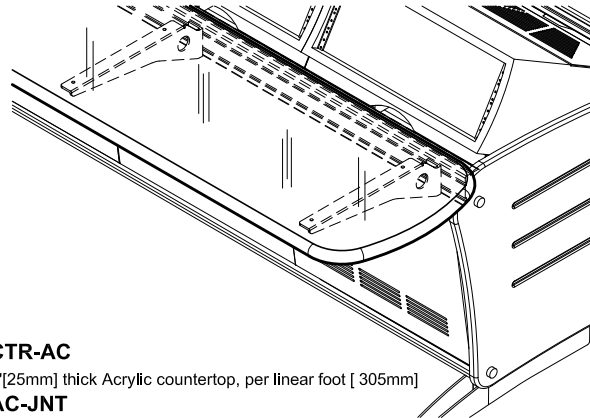
IT-SP
Thermofoil Side Panels



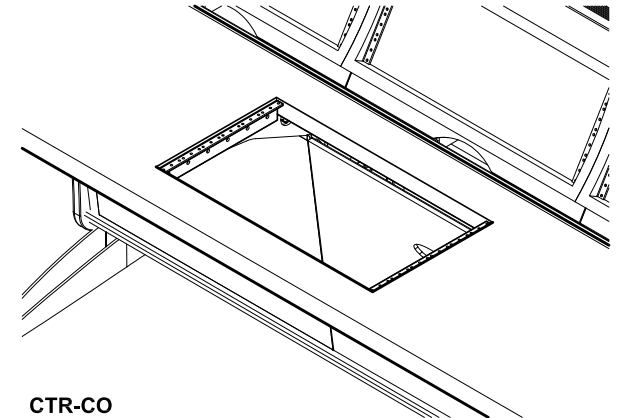
CTR-SWR
Switcher wedge and associated modifications
(appearance may vary from image)



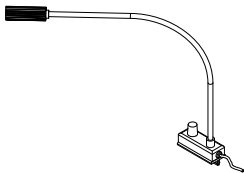
CTR-L
Plastic laminate or linoleum countertop,
per linear foot [305mm].



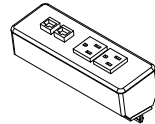
CTR-AC
1" [25mm] thick Acrylic countertop, per linear foot [305mm]
AC-JNT
Acrylic counter joints and associated hardware
(necessary with seamed countertops)



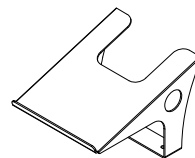
CTR-CO
Counter cutout with rack rail or cleats



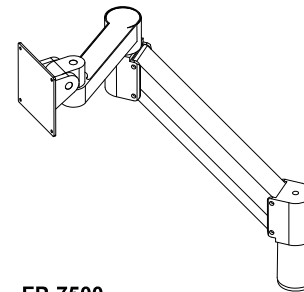
TL-LITHAL-TM
TL-LITLED-TM
Trac mount gooseneck task light



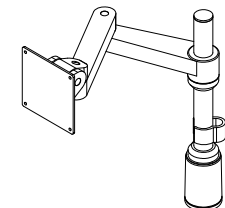
IT-PD
Trac mount power/data module
(2) 15amp recept. + (2) CAT 5's
IT-PD-USB
same as above w/ (2) USB's



IT-Phone
Trac mount phone platform

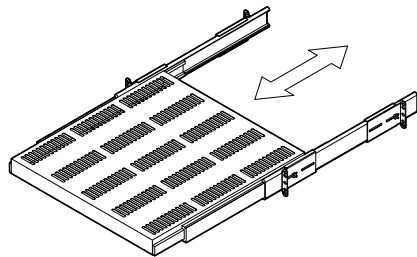


FP-7500
Trac mount, fully articulating LCD arm
long throw, VESA plates included



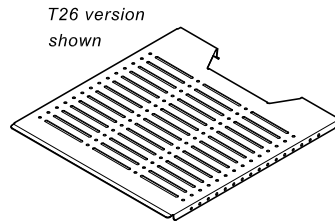
FP-9222
Trac mount swivel arm with articulating
head on adjustable-height post

Accessories (cont.)



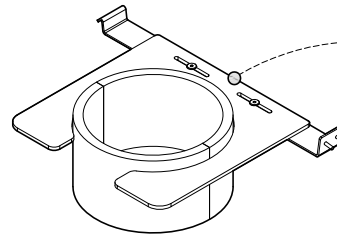
IT-PO-SHELF

Rack mount pullout shelf, vented
16.5" w x 18" d 419mm x 457mm



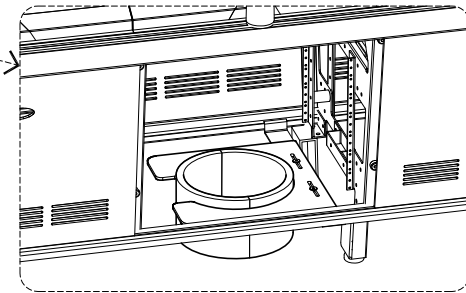
IT-BTM

Bottom closure panel / light-duty shelf,
vented, drop-in.



IT-CC

Trac mount adjustable cable collar



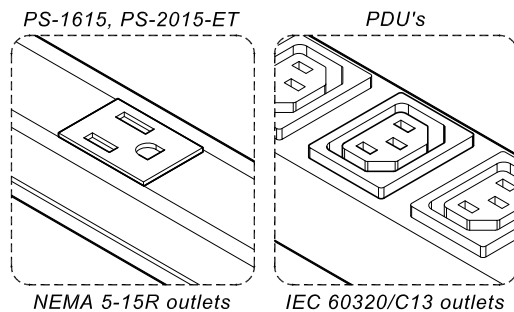
Cable Collar (IT-CC) shown mounted in base,
adjustable in x and y axes

About Power Strips:

The power strips shown at right are typical to Control Room applications in North America, and come with standard 120V 3-wire NEMA 5-15P outlets and plug end. These powerstrips are also available with locking plugs (Twist-Lock®), junction box versions for hardwired applications, as well as 20amp outlet versions.

As an alternative, we can provide Power Distribution Units, which are common to computer network and data centers. These PDU's come with IEC 60320/C13 outlets in both 120V and 240V versions.

For International customers, we will work with you to meet your specific needs, please call to discuss.



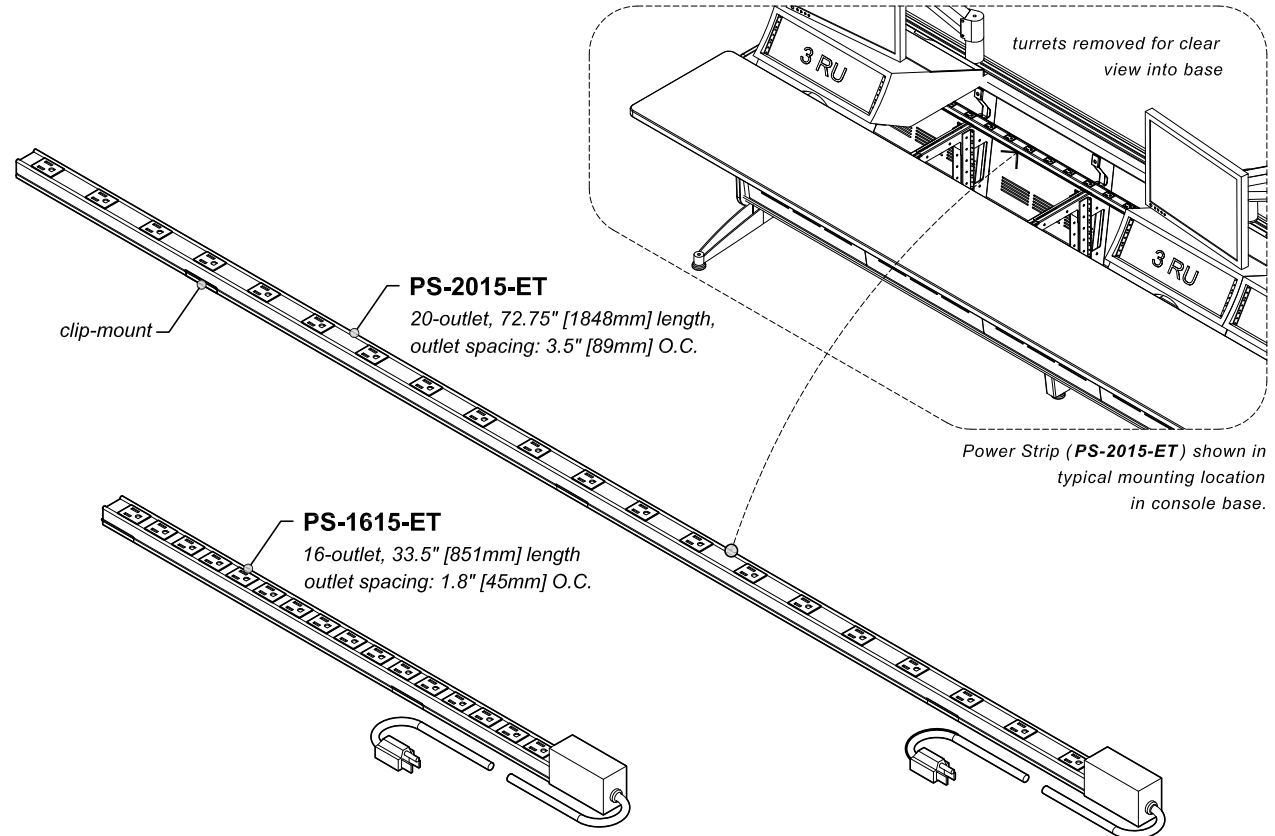
NEMA 5-15R outlets

IEC 60320/C13 outlets

PS-1615-ET

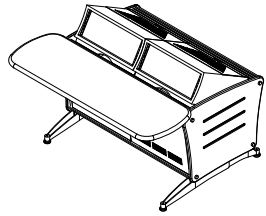
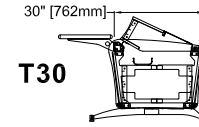
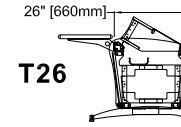
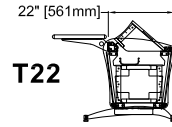
PS-2015-ET

Thin profile 120V/15amp power strip, NEMA 5-15R outlets, 9' [2743mm] cord with NEMA 5-15P plug, Clip-mount, non switched, does *not* include surge protection. Finish: matte black

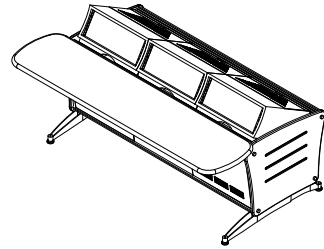


Power Strip (PS-2015-ET) shown in
typical mounting location
in console base.

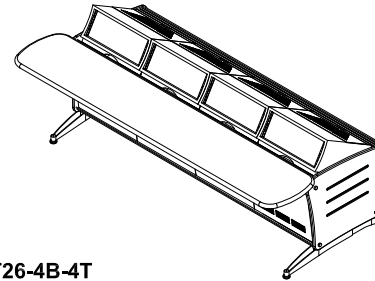
Pre-configured consoles - Straight (available in T22, T26, and T30)



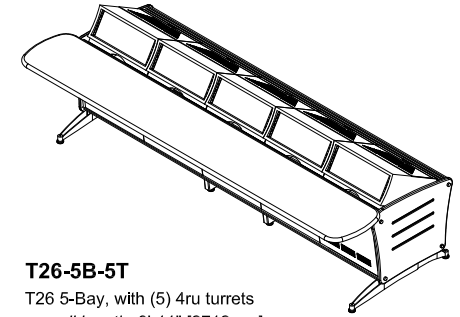
T26-2B-2T
T26 2-Bay, with (2) 4ru turrets
overall length: 3'-8" [1114mm]



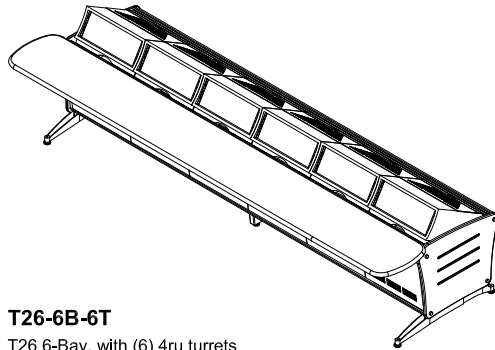
T26-3B-3T
T26 3-Bay, with (3) 4ru turrets
overall length: 5'-6" [1659mm]



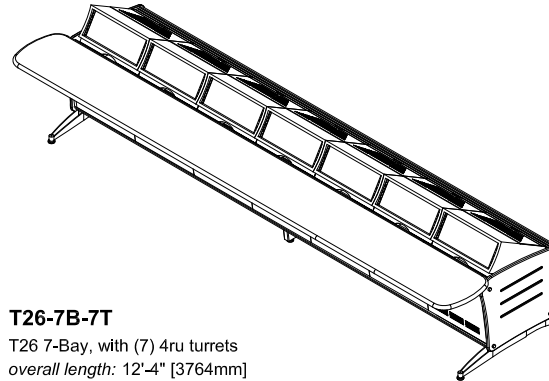
T26-4B-4T
T26 4-Bay, with (4) 4ru turrets
overall length: 7'-2" [2185mm]



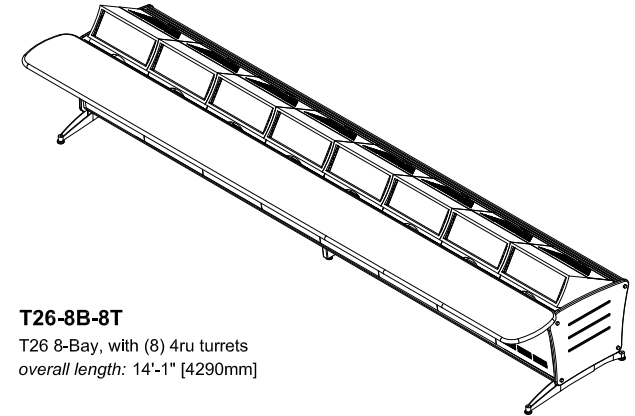
T26-5B-5T
T26 5-Bay, with (5) 4ru turrets
overall length: 8'-11" [2712mm]



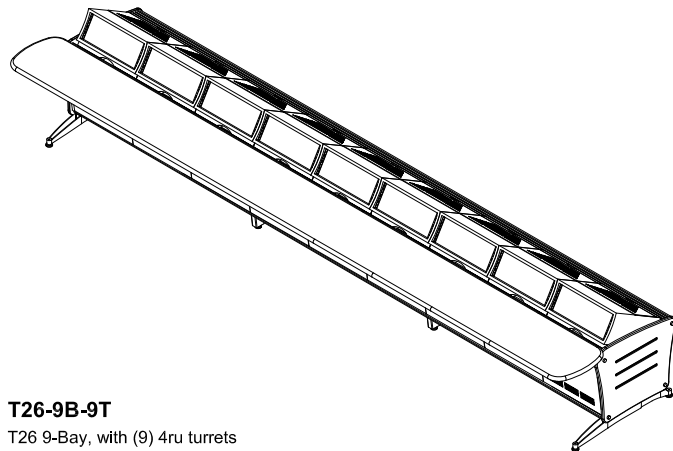
T26-6B-6T
T26 6-Bay, with (6) 4ru turrets
overall length: 10'-8" [3238mm]



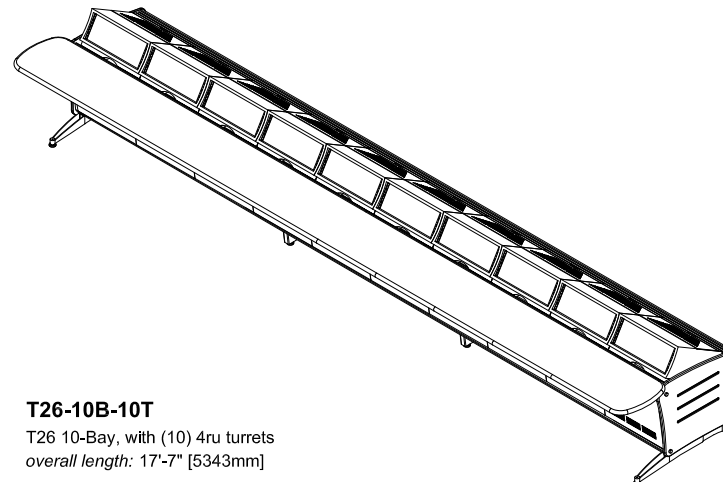
T26-7B-7T
T26 7-Bay, with (7) 4ru turrets
overall length: 12'-4" [3764mm]



T26-8B-8T
T26 8-Bay, with (8) 4ru turrets
overall length: 14'-1" [4290mm]



T26-9B-9T
T26 9-Bay, with (9) 4ru turrets
overall length: 15'-10" [4817mm]



T26-10B-10T
T26 10-Bay, with (10) 4ru turrets
overall length: 17'-7" [5343mm]

Notes:

The configurations shown here are just a sampling of console lengths, typical to control room applications, that can be created with the IntelliTrac system.

Three base depths are available; T22, T26, and T30 (shown at top).

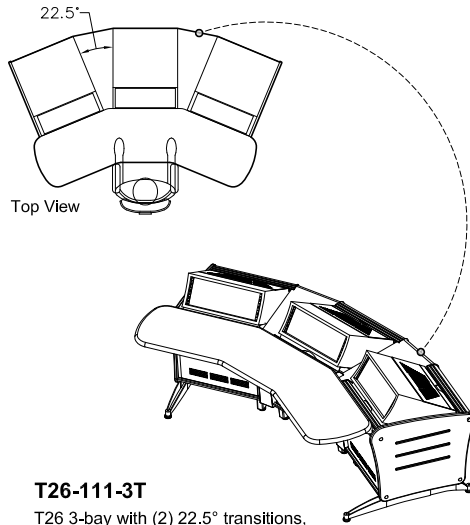
T26 depth shown; pricing same for T30 or T22 versions.

Upper equipment modules (turrets) are available in 2ru to 10ru capacity, as well as bi-level configurations - see page 14.

For angular configurations see page 18.

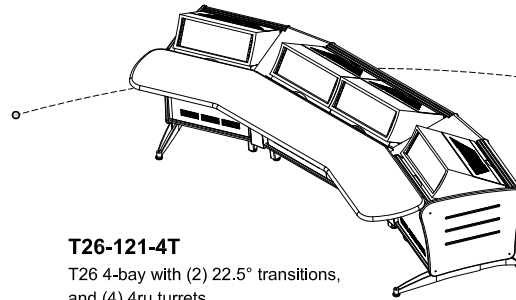
Monitor arms and accessories on page 15.

Pre-configured consoles - Angular (available in T22, T26, and T30)



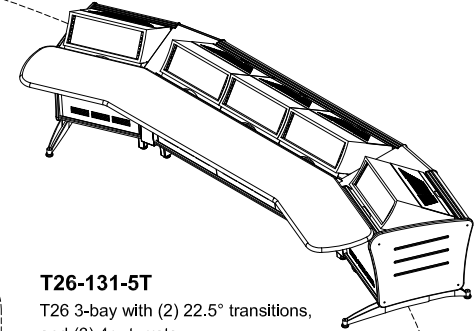
T26-111-3T

T26 3-bay with (2) 22.5° transitions,
and (3) 4ru turrets
overall length: 7'-11" [2402mm]



T26-121-4T

T26 4-bay with (2) 22.5° transitions,
and (4) 4ru turrets
overall length: 9'-8" [2928mm]

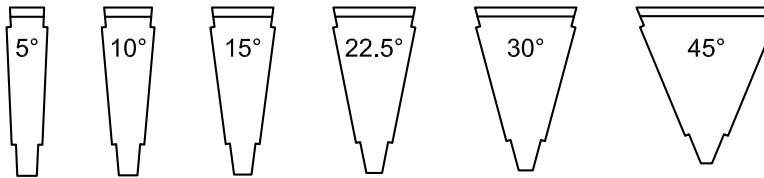


T26-131-5T

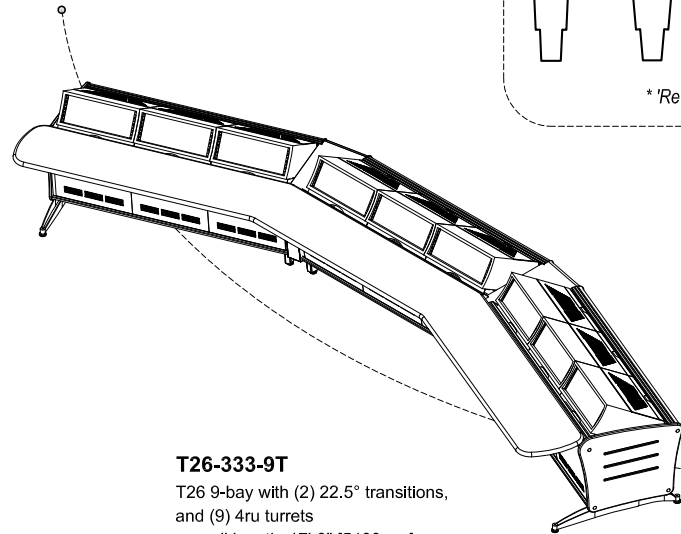
T26 3-bay with (2) 22.5° transitions,
and (3) 4ru turrets
overall length: 11'-4" [3455mm]

Angular Transitions

Working with the stock angular transitions shown below*, IntelliTrac consoles can be configured in a 'cockpit' style, to create ergonomically efficient layouts for single or multiple-operators.

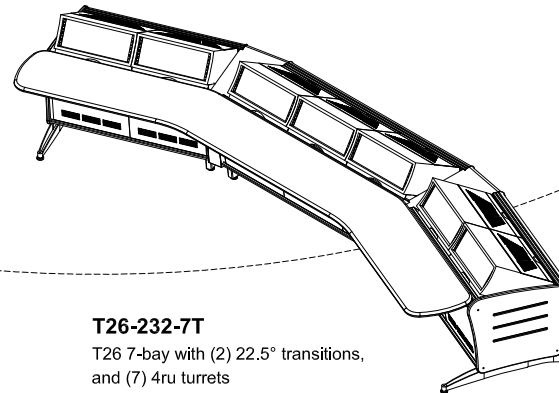


*'Reverse-angle' transitions are also available in 5, 10, and 15° versions.



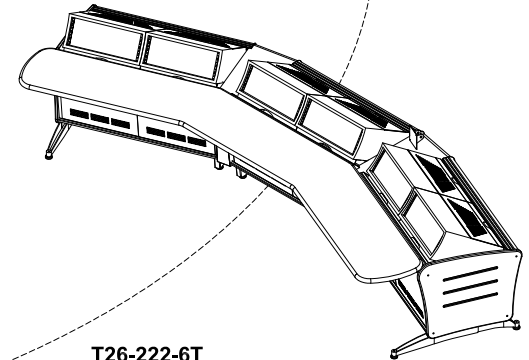
T26-333-9T

T26 9-bay with (2) 22.5° transitions,
and (9) 4ru turrets
overall length: 17'-9" [5400mm]



T26-232-7T

T26 7-bay with (2) 22.5° transitions,
and (7) 4ru turrets
overall length: 14'-7" [4427mm]

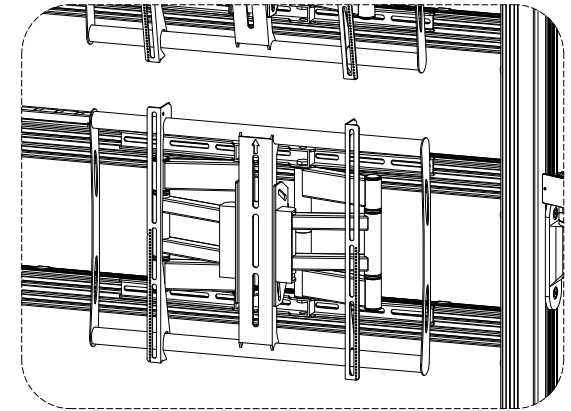
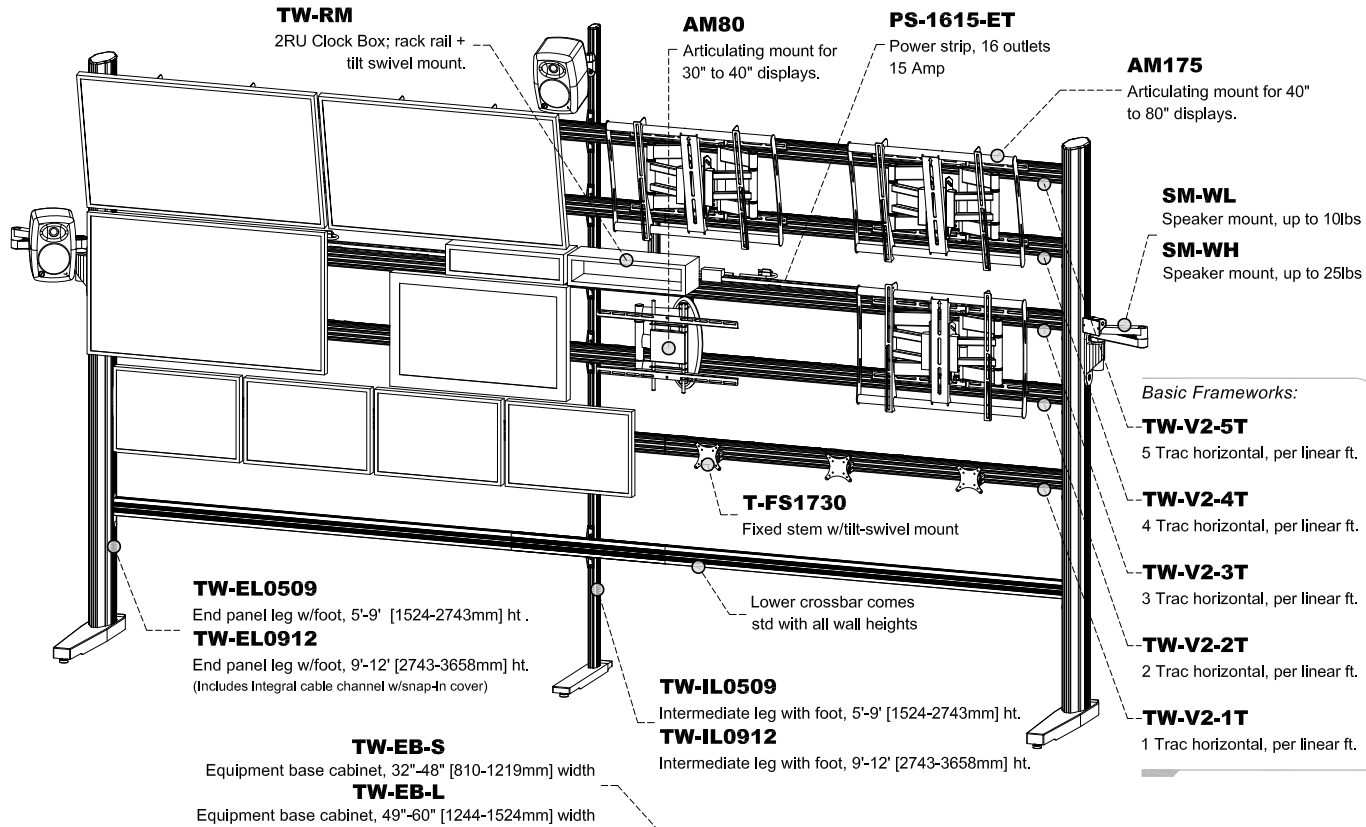


T26-222-6T

T26 6-bay with (2) 22.5° transitions,
and (6) 4ru turrets
overall length: 12'-10" [3909mm]

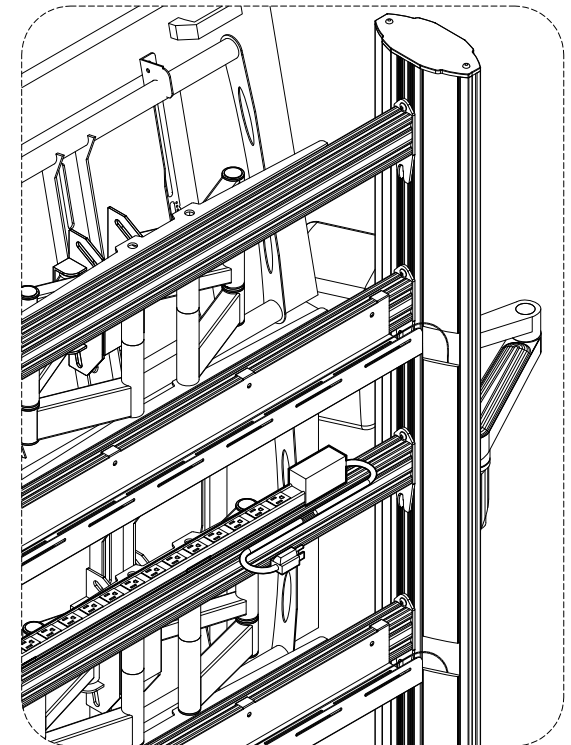
Note: The configurations shown here are just a sampling of possible angular layouts, common to control room applications, that can be created with the IntelliTrac system.

Overview



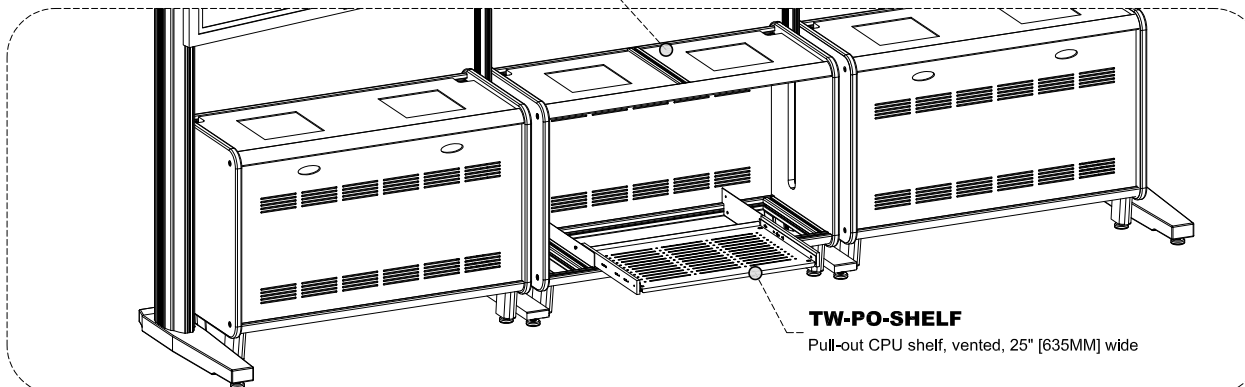
Adaptable Mounting Solutions

Display mounts from any manufacturer can be mounted to TracWall. T-slotted extrusions afford fine adjustment.



Power + Cable Management

Integral wire channel in end leg extrusion w/snap-in cover, removable steel wire trough, and clip mounted power strips. (rear view shown)



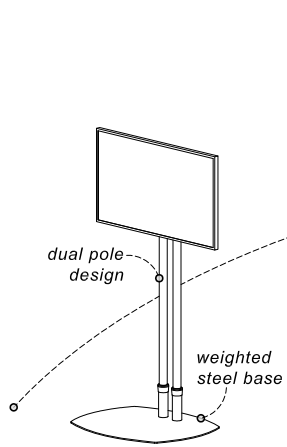
Robust Framework

Custom designed aluminum extrusions provide unlimited mounting options and long service life.

Available Base Cabinets

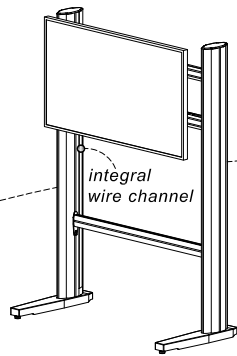
Modular design with removable front access doors, internal cable management, and removable top panels with integral vents. (rear view shown)

Sample Configurations



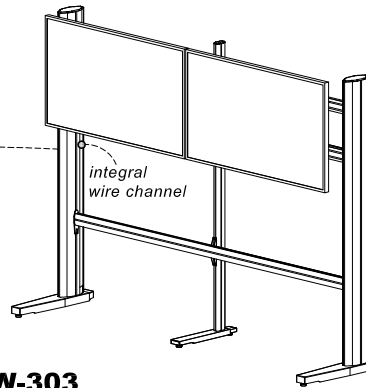
FS-72-RTM

Display Stand for displays 37-55".
Price includes tilting mount.
6'H x 3'W x 2-6"D (1828 x 915 x 762mm)



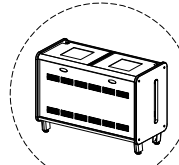
TW-302

TracWall Stand for displays 55" and larger.
Price includes tilting mount.
6'-4"H x 4'-8"W x 26"D (1930 x 1422 x 660mm)

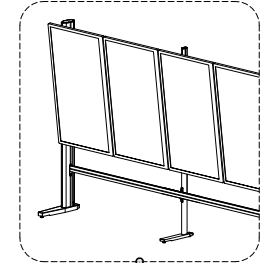


TW-303

TracWall for 2 wide x 1-tier high displays. Price includes tilting mounts.
6'-4"H x 8'-10"W x 26"D (1930 x 2692 x 660mm)

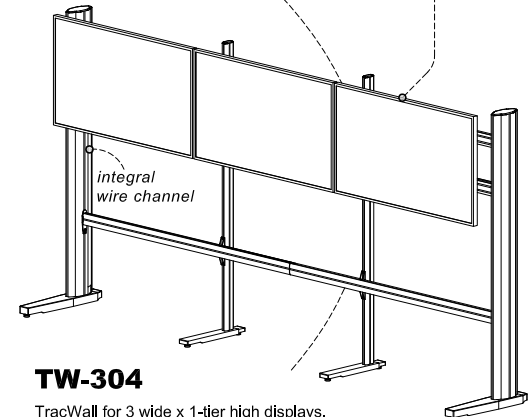


Note: Portrait mounting of larger displays may require non-stocked mounts at additional cost.



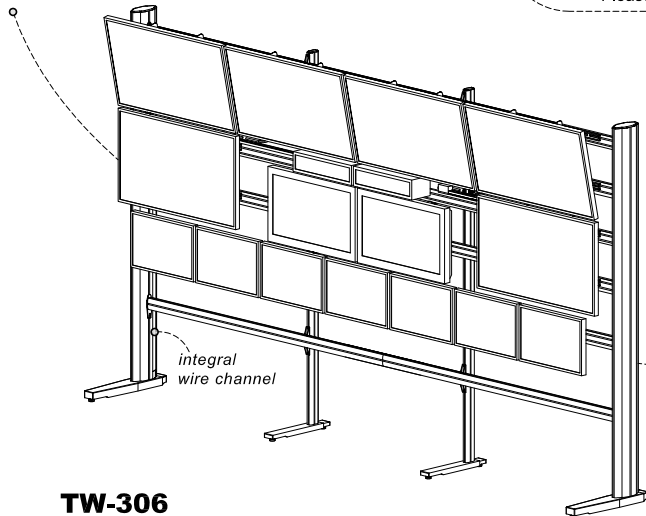
Unlimited Layout Possibilities

The configurations shown here a small sampling of possible layouts with the TracWall v2 system, based on typical control room applications. We welcome the opportunity to work with you in tailoring a layout to your specific equipment needs and architectural considerations. Please see the TracWall Gallery on the TBC website for more ideas.



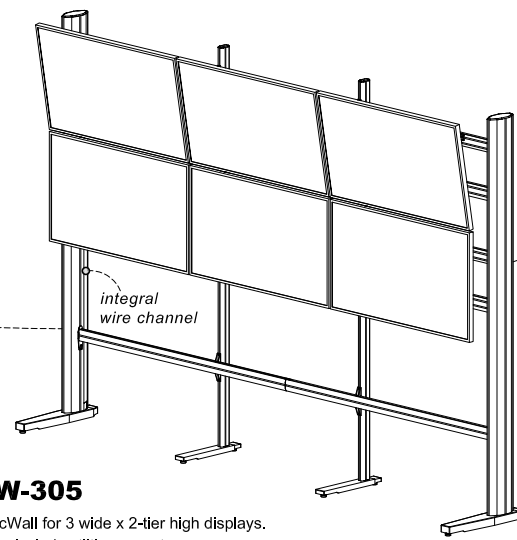
TW-304

TracWall for 3 wide x 1-tier high displays. Price includes tilting mounts.
6'-4"H x 12'-11"W x 26"D (1930 x 3937 x 660mm)



TW-306

TracWall for 3 wide x 2-tier high displays. Price includes tilting mounts.
8'-9"H x 12'-11"W x 26"D (2667 x 3937 x 660mm)



TW-305

TracWall for 3 wide x 2-tier high displays. Price includes tilting mounts.
8'-9"H x 12'-11"W x 26"D (2667 x 3937 x 660mm)

