



Portable Backup Storage for Professionals

Back up your SOUL and Focus on shooting



NPS-10

Nexto Photo Storage for Professionals

NEXXTO DI

Portable Backup Storage for Professionals

The NEXTODI provides the world's fastest and safest backup system via the Company's patented 'X-Copy' technology and 'M-Copy' (copy to multiple drives simultaneously) which guarantees 100% data safety even in the worst-case scenario.



Core Technology
X-Copy

Korean Patent No. 0445182
U.S. Patent No. US7,447,853 B2





Nexto Photo Storage for Professionals

NPS-10

200g
Unbelievably
Lightweight

USB-C
Ultra-Versatility

350MB/s
Super-Fast (Max.)

2.4 inch
LCD Display

Super-fast Backup Speed, 350MB/s

Achieve dream backup speed of Max. 350MB/s via the Company's patented "X-copy" technology.

Tough yet Lightweight

Weighing only 200g(w/o SSD or HDD), it's more portable than ever. Its durable yet compact body and rubber jacket protects your data while you're on the go.

Compatible with Various Memory Cards

Built-in 2 x SD card slots, 1 x microSD slot and a USB port support a wide selections of memory cards. Choose from 3 types of professional memory interface (CF / XQD & CFexpress /CFast).

Make Copies without Computer

Battery powered. Copy files directly to the internal storage without a computer.

Endless Capacity

Offers unlimited storage by easy exchange of Internal Drive (SSD or HDD) Compatible with 2.5" SATA HDD/SSD (7.2mm or less height)

USB Type-C port, Truly Universal Connection

Equipped with the new USB Type-C port(USB 3.1, Gen 2. 10Gbps), the NPS-10 offers high compatibility with faster transfer. You can even charge it using smart phone charger or portable battery pack.
* USB Type-C cable included.

Supported Memory Cards

NPS-10-CF



NPS-10-CFast



NPS-10-XQD



Copy Speed

XQD/CFexpress	320MB/s	18.8GB/min
CFast	360MB/s	21.1GB/min
CF	130MB/s	7.6GB/min
SD1 & SD2	260MB/s	15.2GB/min
microSD	95MB/s	5.6GB/min
USB Host	300MB/s	17.6GB/min

Using SSD *

Specification

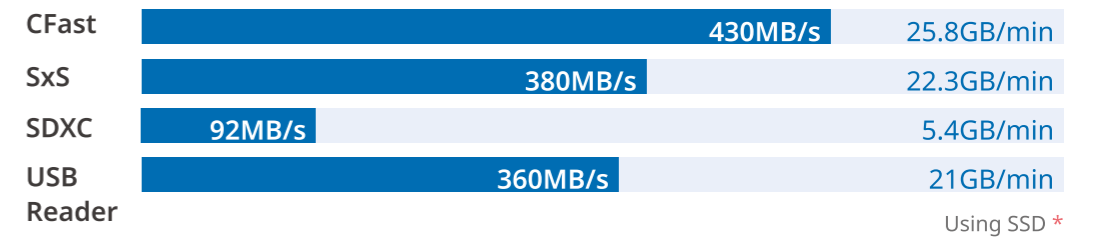
Model Name	Nexto Photo Storage		
Model Number	NPS-10		
LCD	2.4" Color TFT LCD : 320*240, 64K color		
Memory Support	NPS-10-CF : CF (Type 1), SD (UHS-II) x 2, microSD x 1 NPS-10-CFast : CFast (2.0), SD (UHS-II) x 2, microSD x 1 NPS-10-XQD : XQD & CFexpress, SD (UHS-II) x 2, microSD x 1		
Storage	2.5"SATA drive with 7.2mm and less height		
File System	Memory card: FAT32, exFAT, UDF, HFS+		
Video Preview	DV, DVCPRO HD MPEG2 4:4:4 / 4:2:2 / 4:2:0 XF-AVC 2K/4K, AVCHD, H.264, AVC-Intra XAVC 2K/4K, AVC Ultra 2K/4K DNxHD 2K PRORES 2K/4K		
Image Codec	JPEG, TIFF RAW format : ARW, CR2, CR3, DNG, NEF, ORF, PEF, RAF, RWL, RW2, SRW		
Internal Battery	Rechargeable Li-Poly battery, 3.7V 4000mAh - 3 hours of charging = 2 hours of operating time (X-Copy mode)		
Computer I/F	USB 3.1 Gen 2 : 10 Gbit/sec		
OS Compatibility	Windows XP / VISTA / 7 / 8 / 10 (Windows XP (SP 2, 3) requires exFAT patch update.) MAC OS 10.6.5 or later, Linux 2.4.18 or later		
Power	Rechargeable via USB Type-C cable - USB battery pack : Recommended use of 2A or higher output current - Can be charged by PC connection		
Dimension	129.5 x 77 x 25.3 (mm) / 5 x 3 x 0.99 (inches)		
Weight	200g/0.44lb (w/o Internal Drive)		
Contents	NPS-10 main unit / USB Type-C cable / Rubber jacket / User Guide		



Supported Memory Cards



Copy Speed



Nexto Video Storage NVS-2801-Plus

- M-Copy**
Simultaneously Create Multiple Copies
- 430g**
Light
- 6~25v**
Power Range
- 2.4 inch**
LCD Display

Copy 128GB in 5 mins! (X-Copy)

Designed for SSDs, the NVS2801-Plus offers the world's fastest copying speed of 430MB/s.

Compact & Light

Weighing less than a pound, and palmtop size. The compact and slim NVS2801-Plus will be a perfect companion for Documentary DP.

Endless Capacity

Offers unlimited storage by easy exchange of Internal Drive (SSD or HDD) Compatible with 2.5" SATA HDD/SSD (9.5mm or less height)

Preview 2K/4K with Audio

2.4-inch LCD and audio jack allow you to monitor backed up FULL HD/4K video immediately

Backup from various memory cards

Built-in SxS, CFast, SDXC/SDHC/SD Slot Supports XQD & CFexpress / P2 through optional adapter Supported Memory Card File System: FAT32, exFAT, UDF, HFS+ Supports file size larger than 4GB Supports USB card reader for other memory cards

Simultaneously Backup up to TWO drives with a single operation (M-Copy)

Create two copies with 1 internal drive and 1 external USB3.0 (or RAID) drive.



Specification

Model Name	Nexto Video Storage Doc+		
Model Number	NVS2801-Plus		
LCD	2.4" Color TFT LCD : 320*240, 64K color		
Memory Support	Built in Slot : SxS (Pro/Pro+/-1) , CFast(1.1&2.0), SD(SDHC/SDXC with UHS support)		
Storage	2.5"SATA drive with 9.5mm and less height		
File System	Memory card: FAT32, exFAT, UDF, HFS+		
Video Preview	DV, DVCPRO HD	MPEG2 4:4:4 / 4:2:2 / 4:2:0	XF-AVC 2K/4K
	AVCHD, H.264, AVC-Intra	XAVC 2K/4K, AVC Ultra 2K/4K	DNxHD 2K
	PRORES 2K/4K		
Image Codec	JPEG		
	RAW format : .cr2, .nef, .dng, .raw, .orf, .rw2, .pef, .arw, .srw		
Internal Battery	Rechargeable Li-Poly battery, 3.7V 4000mAh Operating time after full charge: 120min Rechargeable via AC adapter(5hrs), USB Cable (12hrs)		
Computer I/F	USB 3.0: 5Gbit/sec		
OS Compatibility	Windows XP / VISTA / 7 / 8 / 10 (Windows XP requires exFAT patch update.) MAC OS 10.6.5 or later, Linux 2.4.18 or later		
Power	Recommended: DC12V/2A Operational range: DC6~25V Operated by USB bus power during the computer connection		
Dimension	154 × 91 × 33 (mm) / 6 × 3.6 × 1.3 (inch)		
Weight	430g/0.95lb (with hard drive)		
Contents	NVS2801 main unit / AC power adapter / USB3.0 Cable Rubber bumpers / Manual / D-tap Cable		



Nexto Card Batcher NCB-20

Batch Copy

8 memory cards

VR ready

Ideal for multi-cam shoot

6~25v

Power Range

2.4 inch

LCD Display

Batch copy of multiple memory cards

Copy up to eight memory cards to two external USB drive without a computer. When connected to a computer, NCB-20 can be used as a USB3 card reader. Ideal for VR and live events.

Automatic Labeling

Link between camera and backup folder via auto-labeling. Sorting and grouping backups by creating slot number-based folder names.

V-Mount(Optional)

Support V-mount battery as a secondary power source.

Performance Balancer

Achieve 350MB/s with Patent Pending Performance Balancer(SD Model).

Simultaneously Backup up to TWO drives with a single operation (M-Copy)

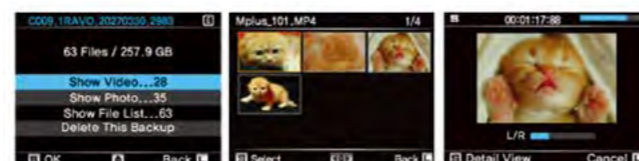
Create two copies on two external USB drives.

Preview Package

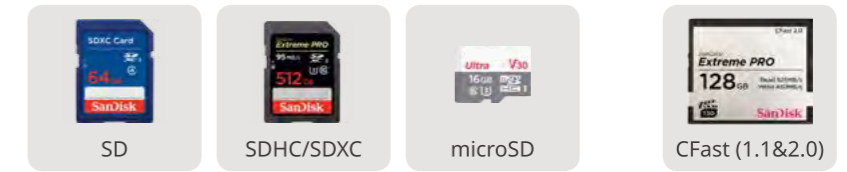
2.4-inch LCD allow you to monitor backed up FULL HD/4K video immediately.

* Thumbview Package

Limited version of Preview Package. Select five cuts from each video and display them as thumbnails.



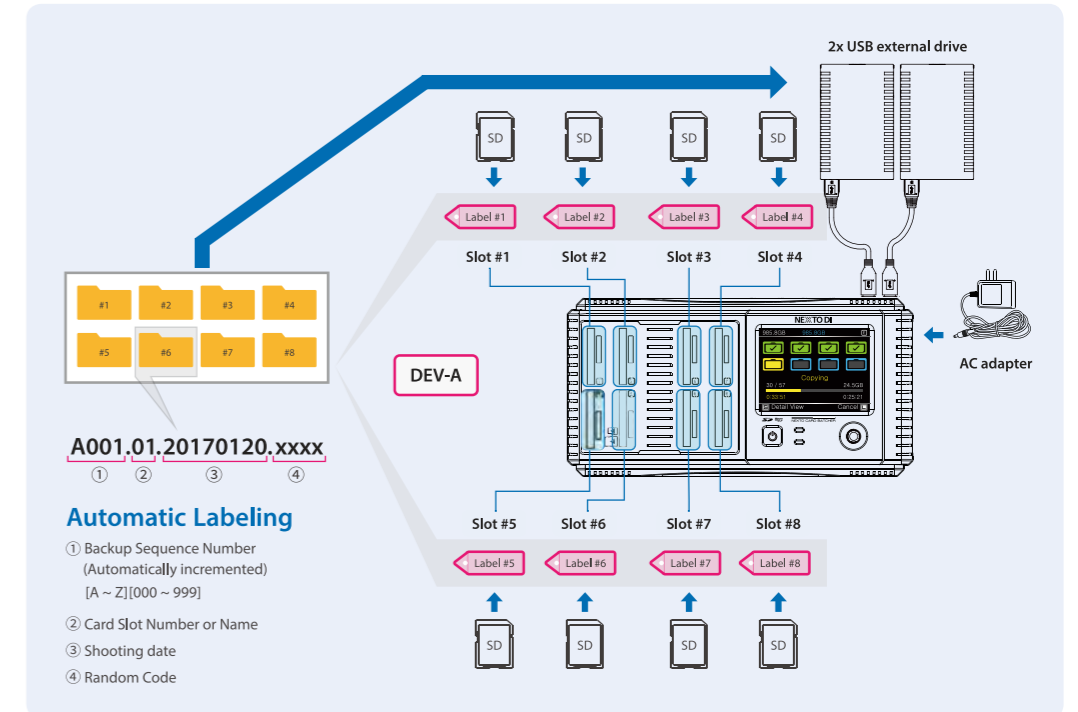
Supported Memory Cards



NCB-20-SD

NCB-20-CFast

Associate Backup with Camera



Assign camera man to the specific slot. Set the name of the camera man to the slot at the setup. The association between the camera and the backup folder is achieved through auto-labeling.

Specification

Model Name	Nexto Card Batcher
Model Number	NCB-20
LCD	2.4" Color TFT LCD : 320*240, 64K color
Memory Support	NCB-20-SD: SD / SDHC / SDXC / microSD 8 Slot NSB-20-CFast: CFast 4 Slot
File System	Memory card: FAT16/32, exFAT, UDF, HFS+ USB external drive: exFAT
Control	Power button , 5 contact control button
Video Preview	XAVC/XF-AVC/AVC-Ultra/AVC-Intra MPEG2/ProRes/DNxHD/H.264/AVCHD/DV
Image Codec	JPEG RAW format : .cr2, .nef, .dng, .rwl, .orf, .rw2, .pef, .arw, .srw
Power	DC In 6~25V / 2A USB Power bank for smart phone, V-mount battery (optional)
Computer I/F	USB 3.0: 5Gbit/sec
OS Compatibility	Windows XP / VISTA / 7 / 8 / 10 (Windows XP requires exFAT patch update.) MAC OS 10.6.5 or later, Linux 2.4.18 or later
Dimension	156 × 80 × 34 (mm) / 6.1 × 3.1 × 1.3 (inch)
Weight	200g/0.4lb
Contents	NCB-20 main unit / AC power adapter / USB 3.0 Cable / Manual

TVlogic[®] Always ON-AIR

www.tvlogic.tv  [tvlogic_official](https://www.instagram.com/tvlogic_official)

12F, ACE HIGH-END TOWER 8, 84, Gasan Digital 1-ro, Geumcheon-gu, Seoul, 08590, Korea

Tel. +82-70-8668-6611 Fax. +82-2-6123-3201 E-mail. Sales@tvlogic.co.kr / support@tvlogic.co.kr



NEXXTO DI

www.nextodi.com